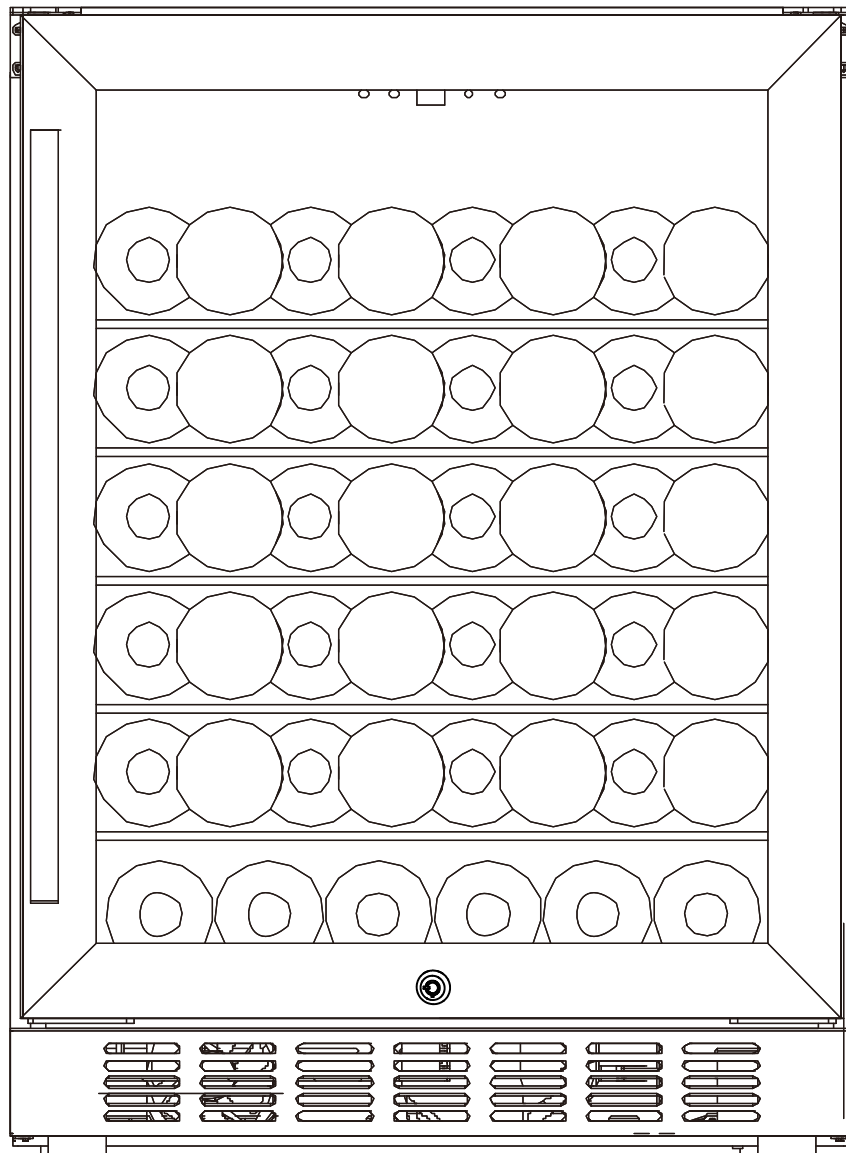




# COMPRESSOR BEVERAGE COOLER

## User Manual

EMPV-BR06S





## CONTENT

1. Preparation .....	4
2. Safety Measures and Instructions .....	4
3. Warning and Cautions .....	5
4. Specifications .....	7
5. Device Overview .....	7
6. Before Initial Operation .....	8
7. Temperature Setting .....	9
8. Operation.....	10
9. Energy Saving .....	10
10. Cleaning and Maintenance.....	10
11. How to Move the Appliance .....	11
12. Installation .....	11
13. Trouble Shooting .....	14
14. Decommission .....	15
15. Electrical Circuit Diagram .....	16

Thank you for choosing our product. To use our products safely and effectively, please read these instructions carefully. Improper installation, operation, or maintenance will cause damage to the products and will result in an additional repair fee.

## 1. Preparation

- Prior to initial use, remove any stickers or similar objects affixed to the appliance, with the exception of the rating label.
- Properly dispose of any plastic bags, as they may present a suffocation hazard to young children.
- Please read the manual prior to operating the appliance and subsequently store it in a secure location for future reference. If this appliance is transferred to a new owner, the manual must be provided. Neglecting to follow the safety instructions outlined in the manual may lead to a serious risk to your health and life.

## 2. Safety Measures and Instructions

- Before operating the appliance, verify that the voltage indicated on the technical plate of the appliance is consistent with the voltage of the electricity supplied to your home.
- Inspect the technical peripherals of the appliance. Are all wires and connections in proper working order and compliant with the technical specifications of the appliance? Verification of existing and newly made connections should be performed by an authorized professional. All connections and energy-leading components, including wires inside a wall, must be inspected by a qualified professional.
- Any modifications made to the electrical mains to facilitate installation of the appliance should only be performed by a qualified professional.
- This appliance is designed for cooling wine in a private household only.
- This appliance is intended for indoor use only.
- This appliance is not intended to be used for commercial purposes, during camping or in public transportation.
- Do not allow anybody who is not familiar with the instruction manual to operate the appliance. This appliance may be operated by children aged 8 years and above, as well as by individuals with reduced physical, sensory, or mental capabilities, or those who lack experience and knowledge, if they are supervised or instructed regarding the safe use of the appliance and comprehend the associated risks.
- Children should not play with the appliance, and any cleaning or user maintenance should be supervised by an adult.
- Operating the appliance at ambient temperatures below 10°C or above 32°C may adversely impact its performance.

### 3. Warning and Cautions

- Do not connect the appliance to the mains if the appliance, power cord or plug are visibly damaged.
- Never attempt to repair the appliance yourself. If the appliance is not functioning properly, please contact the store from which you purchased the appliance. Only use original spare parts.
- If the power cord is damaged, it must be replaced by the manufacturer, an authorized after-sales service provider, or a qualified professional.
- If any part of the cooling circuit is damaged, do not position the appliance near an open flame, spark-generating devices, or any other potential sources of ignition. Please contact the store where you purchased the appliance immediately.
- When disposing of or decommissioning the appliance, keep all components away from fire and other ignition sources.
- Do not install the appliance near volatile or combustible materials such as gas, fuel, alcohol, or paints, or in areas with poor air circulation such as a garage.

#### **EXPLOSION HAZARD**

Do not store any explosive materials or sprays that contain flammable propellants in your appliance.

- Remove all packaging and transit protectors before connecting the appliance to the electric supply.
- Only operate the appliance using 110-120V AC 60Hz. Any replacements or maintenance of connections and energy-leading components should be performed by an authorized professional.
- Do not use a socket board or multi-socket when connecting the appliance to the mains.
- A dedicated and properly grounded socket that meets the plug's specifications is necessary to minimize any hazards. The appliance must be grounded correctly.
- When moving the appliance, ensure that the power cord is not under the appliance or damaged.
- The technical specifications of your energy supplier must meet the data specified on the model plate of the appliance.
- Your domestic circuit must be equipped with an automatic circuit breaker.
- Do not modify the appliance in any way.

#### **RISK OF ELECTRIC SHOCK**

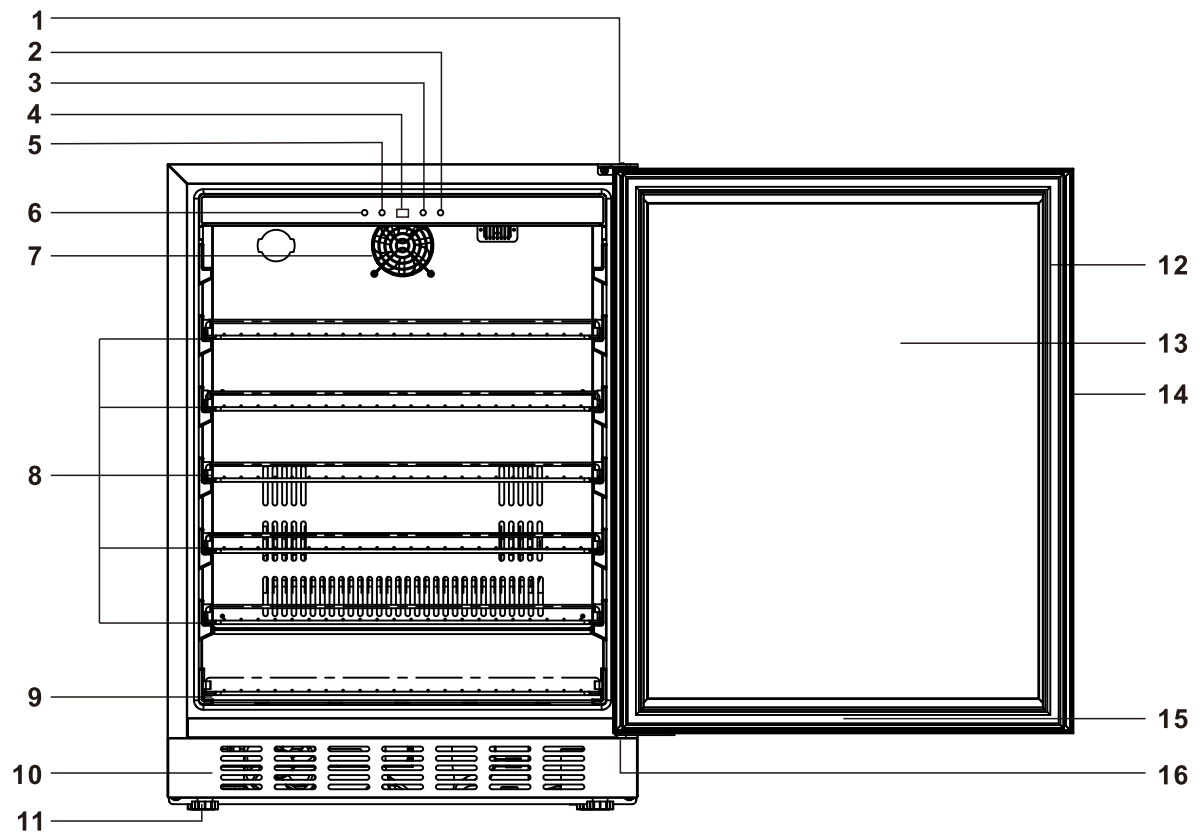
Turn off the power before installation and connection to the mains. Under no circumstances should steam cleaners be used to clean or defrost the appliance. The steam may come into contact with the electrical components, potentially causing a short circuit. Avoid using mechanical devices, knives, or other sharp objects to remove encrusted ice inside the appliance.

- Disconnect the appliance from the mains before cleaning or performing maintenance.
- Do not use any electric appliances inside the food storage compartments of your appliance unless they are recommended by the manufacturer of your refrigerator.
- Do not place any heat-radiating appliances on top of the appliance.
- Avoid installing the appliance in a location where it may be exposed to water or rain, as this could damage the insulation of the electrical system.
- Do not place water boilers or vases on top of your appliance, as spilled water or over-boiling can seriously damage the electrical components.
- Children must never play with the appliance, and if you decommission the appliance, even temporarily, ensure that children cannot access it.
- Do not touch the extremely cooled surfaces with wet or damp hands, as your skin may stick on these surfaces.
- When moving the appliance, lift it carefully from its base and hold it upright. Do not use the door for moving the appliance, as this could damage the hinges.
- Do not operate the appliance unless all components are installed properly.
- Do not stand or lean on the base, drawers, doors or other parts of the appliance.
- Do not put hot liquids or hot food into the appliance.

## 4. Specifications

<b>MODEL</b>	EMPV-BR06S
<b>VOLUME</b>	137L
<b>VOLTAGE</b>	AC 115V
<b>FREQUENCY</b>	60Hz
<b>PROTECTION TYPE</b>	I
<b>CLIMATE CLASS</b>	N
<b>INPUT POWER</b>	65W±20%
<b>ENERGY CONSUMPTION</b>	0.528 Kw.h/24h
<b>TEMPERATURE RANGE</b>	37-64°F (3-18°C)
<b>NET WEIGHT</b>	90.2 lbs
<b>PRODUCT DIMENSION</b>	W23.46 x H32.28 x D22.36inches

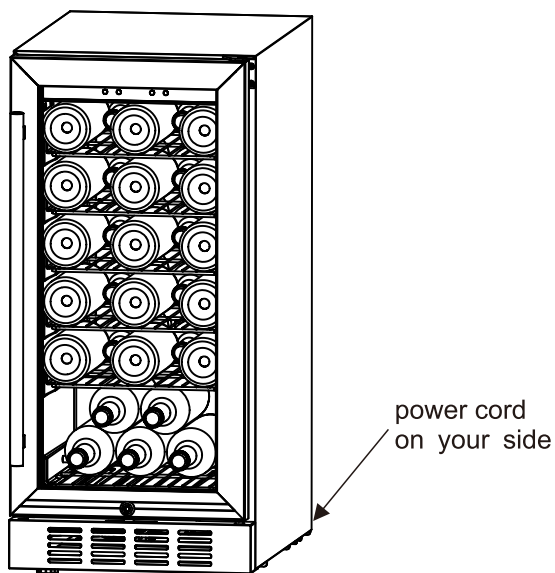
## 5. Device overview



1. Upper Hinge	2. Temp. Button	3. Temp. Button	4. Display
5. Light / °C°F key	6. Switch key	7. Fan	8. Large shelves
9. Small shelves	10. Exhaust Window	11. Foot	12. Door Seal
13. Glass	14. Handle	15. Lock	16. Down Hinge

## 6. Before Initial Operation

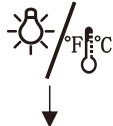
- Leave the appliance in an upright position for 4- 6 hours before connecting it to the mains.
- Thoroughly clean the appliance, paying careful attention to the interior (refer to the Cleaning and Maintenance chapter).
- The appliance must be connected to the mains properly.
- Allow the appliance to stabilize to the proper temperature for approximately 24 hours before use.
- Avoid overfilling the appliance.
- The power cord should be directed as shown below, with a length of 1.7 meters.



## 7. Temperature Setting

### Clé de commutation:

Appuyez sur pour 3s pour l'allumer ou éteindre.



Affichage de Temp



Augmentation de temp



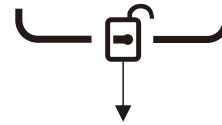
Diminution de temp



### Lumière/clé °C°F:

Appuyez sur pour allumer ou éteindre la lumière.

Le maintenir enfoncé 3s vous permet de choisir entre °F/°C.



### Unlock:

Appuyez sur les deux flèches pour 3s à débloquer.

- Plage de température: 41-64°F (5-18°C).
- LED clignotante = Mode de réglage de la température.
- LED constante = Température de refroidissement
- Si aucune touche n'est actionnée pendant 10 minutes, la lumière s'éteint automatiquement.
- Si aucune touche n'est actionnée pendant 20 secondes, les touches plus et moins se verrouillent automatiquement. La touche de déverrouillage et la touche d'éclairage/unité fonctionnent normalement.
- L'unité de commande est remise sous tension après chaque arrêt. Le réglage de la température et de l'unité sera le même qu'avant l'arrêt, quelle que soit la durée de l'arrêt.
- Fonction de dégivrage forcé : Si le compresseur a fonctionné pendant 8 heures, il s'arrête pendant 45 minutes pour dégivrer.

## 8. Operation

- **To achieve the appropriate temperatures within the appliance:**

1. Ensure the ambient temperature corresponds to the climatic class.
2. The doors are closing securely.
3. Avoid opening the doors too frequently or for an extended period of time.
4. The door seals are in good condition.
5. Position the appliance properly.
6. Avoid overfilling the appliance.
7. Do not store warm or hot food within the appliance.

## 9. Energy Saving

- Try to minimize the frequency of opening the door, particularly in warm and humid weather. When you do open the door, close it promptly.
- Ensure the appliance is always well-ventilated.
- Disconnect the appliance from the mains if it will not be in use.
- Keep the door seals clean and in a good condition at all times.

## 10. Cleaning and Maintenance

**WARNING**

Disconnect the appliance from the mains before cleaning or maintaining.

- Regularly clean the appliance to avoid unpleasant odors.
- Dust deposits on the condenser will increase the energy consumption. Clean the condenser twice a year with a vacuum cleaner or a soft brush.
- Remove all rings and bracelets before cleaning or maintaining the appliance to avoid damaging its surface.

### Detergent

- Use mild, non-acidic detergents for cleaning, avoiding harsh or aggressive detergents and solvents.

## External Cleaning

- Use a moist cloth for external cleaning, rinse with clear water, and dry the surfaces with a cloth.

## Internal Cleaning

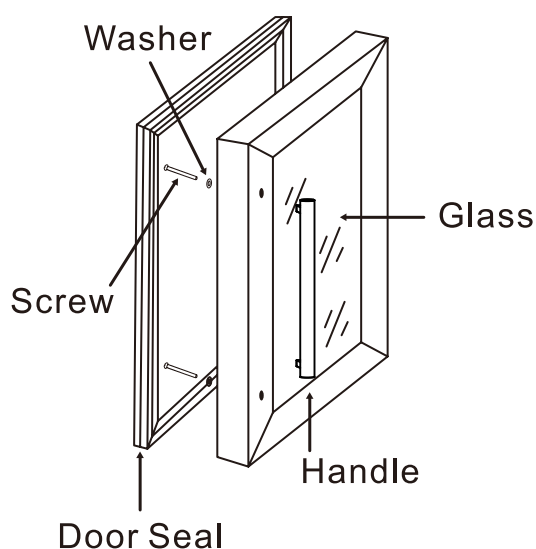
- Use warm water and a mild, non-acidic detergent to clean removable parts and the interior, rinse with clear water, and dry with a cloth. Check the water drain and clean if needed.

## 11. How to Move the Appliance

- Remove all bottles.
- Secure all loose items inside the appliance.
- Turn the level feet up to the base to avoid damage.
- Tape the door.
- Move the appliance in an upright position.

## 12. Installation

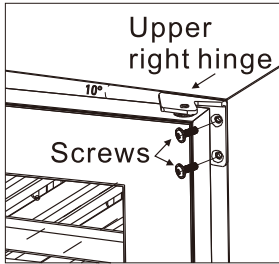
- **To install the door handle:**
  - The unit has been shipped with the door handle securely stored inside, attached to the shelves.
  - Gently pull the door gasket back from the screw holes where you will attach the handle.
  - Use the two included screws and washers in order to fasten the door handle to the frame of the door.



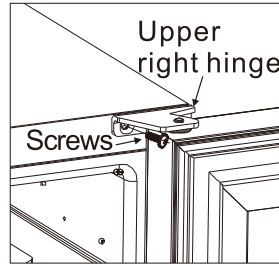
● **To reverse the door swing:**

Upon receiving your wine cooler, please note that the door swings open at the left. If you wish to reverse the door swing to have it open from the right, it is essential to have at least one other person to assist you. Attempting to reverse the door swing alone can be hazardous, as the door may fall and the glass may break, posing a significant danger.

1. Open the door 10° and remove the 2 screws on the right side of the upper hinge.



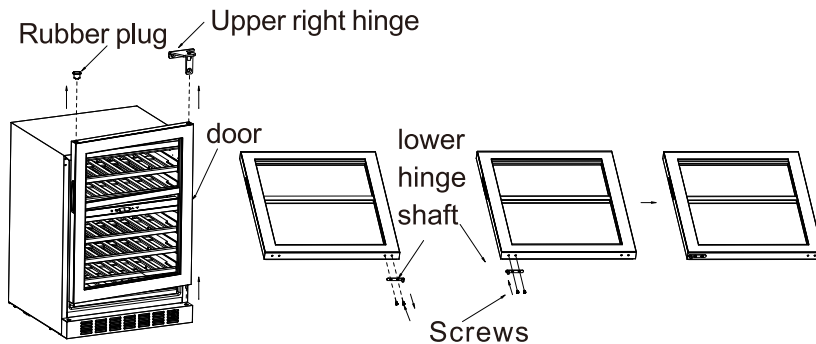
2. Open the door 180° and remove the 1 screw on the left side of the upper hinge.



3. Remove upper right hinge and left plastic plug, Pull the door up and out.

4. Remove the 2 screws on the right side of the bottom of the door and the lower hinge shaft.

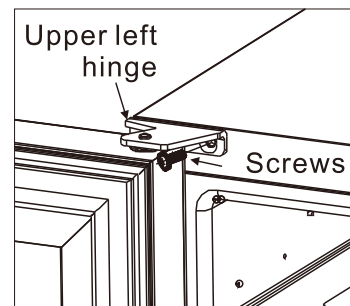
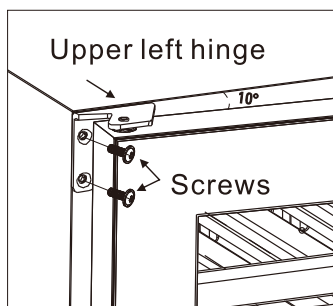
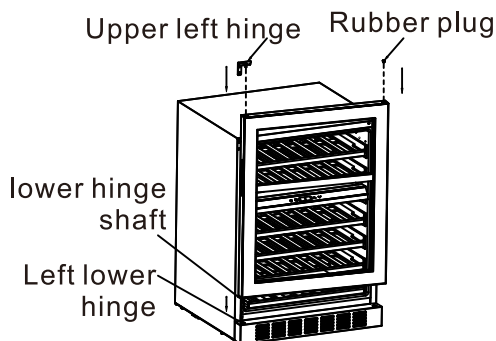
5. Adjust the screw hole on the left side of the door, place the lower hinge shaft and fix it with screws



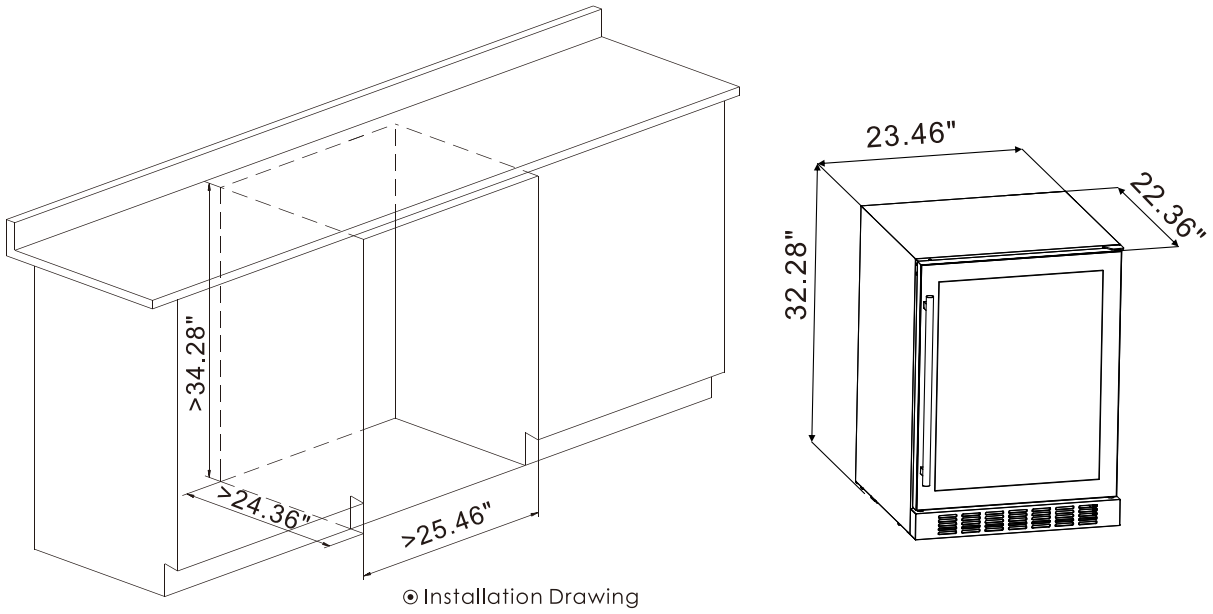
6. Point the lower hinge shaft with the lower left hinge hole, put the door body vertically into the lower left hinge hole, put the upper left hinge into the top of the door according to the shaft hole, and put the rubber plug into the right side of the door.

7. Open the door at a 10° and tighten 2 screws on the left.

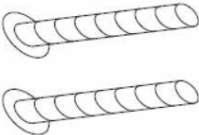


8. Open the door slightly at a 180° and tighten 1 screw on the right.



- **Cabinet Dimension:**



- **Spare Parts Details:**

Spare Parts	Pictures	Use
Screw x 2		For the handle installation.
Gasket x 2		For the handle installation.
Key x 2		To lock the door.

## 13. Trouble Shooting

POSSIBLE CAUSE	MEASURE
The plug of the appliance is not connected to the socket.	Check the corresponding socket by connecting it with another appliance.
The plug has become loose.	Check the fuse box.
<ul style="list-style-type: none"> <li>• The socket is not supplied with energy.</li> <li>• The fuse is switched off.</li> <li>• The voltage is too low.</li> </ul>	Compare the data on the model plate with the data of your energy supplier.
The door was frequently opened.	Close the door properly.
The door is not properly closed.	Do not overfill.
<ul style="list-style-type: none"> <li>• The appliance is overfilled. The door seals are damaged.</li> </ul>	Replace the seal.
<ul style="list-style-type: none"> <li>• Main control board is defective.</li> <li>• PCB is defective.</li> <li>• Plug is defective.</li> </ul>	Contact the service.
<ul style="list-style-type: none"> <li>• LED is defective.</li> <li>• Temperature cannot be determined.</li> </ul>	Contact the service.
The appliance is not installed on a level, dry, solid floor.	Realign the appliance. Readjust the appliance.
The appliance is in contact with a wall or another item. The bottles are incorrectly positioned.	Realign the bottles.
Some items have dropped behind the appliance.	Remove these items.
The appliance is not installed on a level, dry, solid floor.	Realign the appliance.
Door seal is defective.	Replace the door seal.
Shelves are not inserted properly.	Insert the shelves properly.
Control panel is defective.	Contact the service.

## 14. Decommission

- **Properly care for the appliance during extended periods of non-use:**

1. Draw the plug out of the socket.
2. Remove all food stored in the appliance.
3. Dry the inside of the appliance with a cloth and leave the door open for a few days.

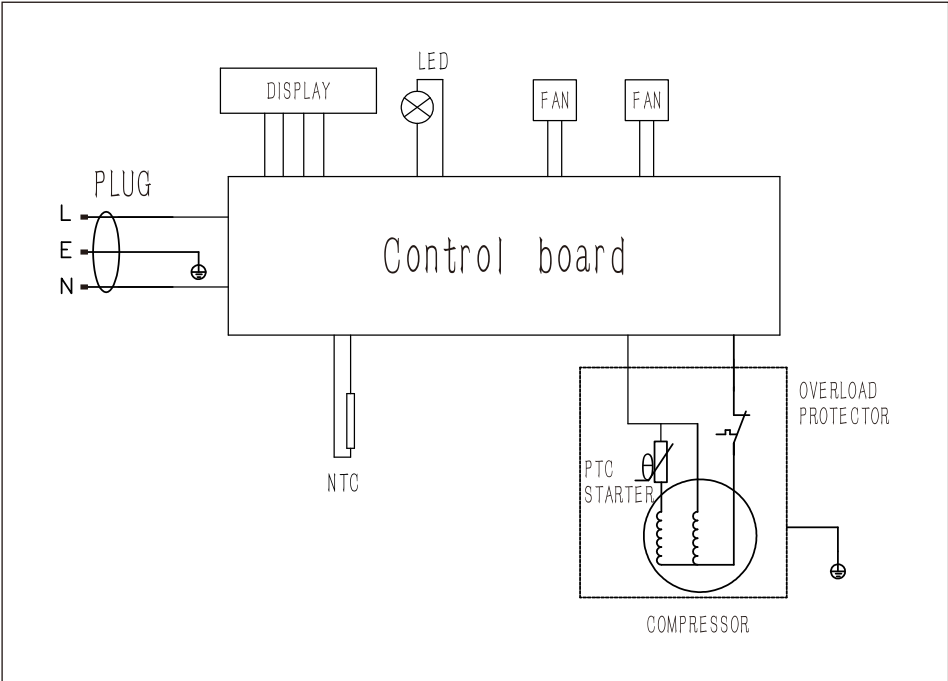
- **For an average vacation/holiday (14-21 days):**

1. Either follow the above steps or do not let the appliance operate.
2. Remove all perishable food from the cooling compartment.
3. Clean the cooling compartment.
4. Freeze all suitable food items.

- **When moving the appliance:**

1. Secure all removable parts and the contents of the appliance separately if necessary.
2. Transport the appliance in an upright position only to prevent damage to the compressor.
3. Avoid damaging the appliance's feet.

# 15. Electrical Circuit Diagram

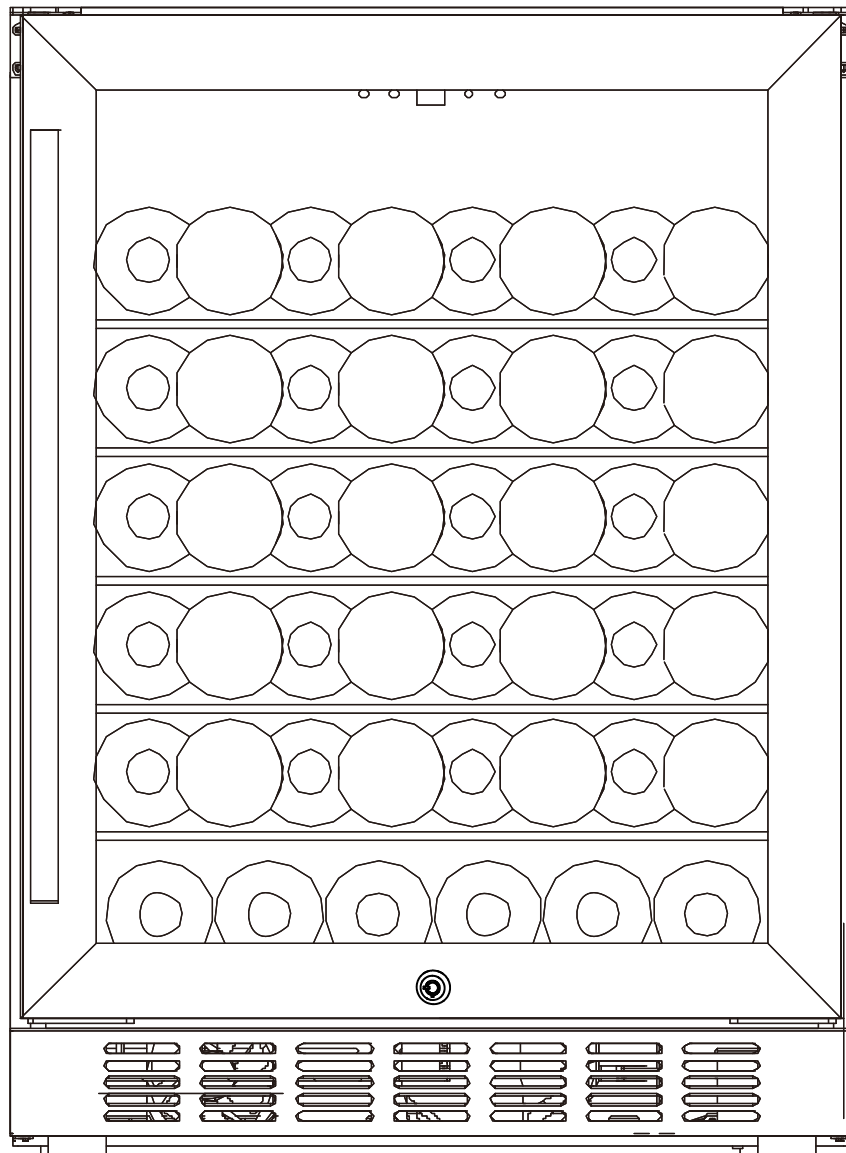




# RÉFRIGÉRATEUR DE BOISSONS

Manuel de l'utilisateur

EMPV-BR06S





## SOMMAIRE

1. Préparation .....	4
2. Mesures de sécurité et instructions .....	4
3. Avertissements et précautions.....	5
4. Caractéristiques.....	7
5. Vue d'ensemble de l'appareil.....	7
6. Avant la première utilisation.....	8
7. Réglage de la température.....	9
8. Fonctionnement .....	10
9. Économie d'énergie.....	10
10. Nettoyage et entretien .....	10
11. Comment déplacer l'appareil.....	11
12. Installation .....	11
13. Dépannage.....	14
14. Mise hors service.....	15
15. Schéma de circuit électrique.....	16

Merci d'avoir choisi notre produit. Pour utiliser nos produits en toute sécurité et efficacement, veuillez lire attentivement ces instructions. Une installation, un fonctionnement ou un entretien incorrects causeront des dommages aux produits et entraîneront des frais de réparation supplémentaires.

## 1.Préparation

- Avant la première utilisation, retirez tous les autocollants ou objets similaires fixés sur l'appareil, à l'exception de l'étiquette de classement.
- Jetez correctement les sacs en plastique, car ils peuvent présenter un risque de suffocation pour les jeunes enfants.
- Veuillez lire le manuel avant de faire fonctionner l'appareil et le conserver ensuite dans un endroit sûr pour référence ultérieure. Si cet appareil est transféré à un nouveau propriétaire, le manuel doit être fourni. Le non-respect des consignes de sécurité décrites dans le manuel peut entraîner un risque sérieux pour votre santé et votre vie.

## 2.Mesures de sécurité et instructions

- Avant de faire fonctionner l'appareil, vérifiez que la tension indiquée sur la plaque technique de l'appareil est conforme à la tension de l'électricité fournie à votre domicile.
- Inspectez les périphériques techniques de l'appareil. Tous les câbles et connexions sont-ils en bon état de fonctionnement et conformes aux spécifications techniques de l'appareil ? La vérification des connexions existantes et nouvellement établies doit être effectuée par un professionnel agréé. Toutes les connexions et les composants conducteurs d'énergie, y compris les câbles à l'intérieur d'un mur, doivent être inspectés par un professionnel qualifié.
- Toute modification apportée au réseau électrique pour faciliter l'installation de l'appareil doit être effectuée uniquement par un professionnel qualifié.
- Cet appareil est conçu pour refroidir le vin uniquement dans un ménage privé.
- Cet appareil est destiné à un usage en intérieur uniquement.
- Cet appareil n'est pas destiné à être utilisé à des fins commerciales, lors de camping ou dans les transports en commun.
- Ne laissez personne qui n'est pas familier avec le mode d'emploi utiliser l'appareil. Cet appareil peut être utilisé par des enfants âgés de 8 ans et plus, ainsi que par des personnes ayant des capacités physiques, sensorielles ou mentales réduites, ou celles qui manquent d'expérience et de connaissances, s'ils sont supervisés ou instruits sur l'utilisation sécurisée de l'appareil et comprennent les risques associés.
- ☒ Les enfants ne doivent pas jouer avec l'appareil, et tout nettoyage ou entretien par l'utilisateur doit être supervisé par un adulte.
- ☒ Faire fonctionner l'appareil à des températures ambiantes inférieures à 10°C ou supérieures à 32°C peut nuire à ses performances.

### 3. Avertissements et précautions

- Ne branchez pas l'appareil sur le secteur si l'appareil, le cordon d'alimentation ou la prise sont visiblement endommagés.
- N'essayez jamais de réparer l'appareil vous-même. Si l'appareil ne fonctionne pas correctement, veuillez contacter le magasin où vous l'avez acheté. Utilisez uniquement des pièces de rechange d'origine.
- Si le cordon d'alimentation est endommagé, il doit être remplacé par le fabricant, un prestataire de service après-vente agréé ou un professionnel qualifié.
- Si une partie du circuit de refroidissement est endommagée, ne placez pas l'appareil près d'une flamme nue, de dispositifs générant des étincelles ou de toute autre source potentielle d'inflammation. Veuillez contacter immédiatement le magasin où vous avez acheté l'appareil.
- Lors de la mise au rebut ou de la mise hors service de l'appareil, éloignez tous les composants du feu et des autres sources d'inflammation.
- Ne pas installer l'appareil près de matériaux volatils ou combustibles tels que le gaz, le carburant, l'alcool ou les peintures, ou dans des zones à faible circulation d'air, comme un garage.

#### **DANGER D'EXPLOSION**

Ne stockez pas de matériaux explosifs ou de vaporisateurs contenant des propulseurs inflammables dans votre appareil.

- Retirez tout l'emballage et les protecteurs de transport avant de brancher l'appareil à l'alimentation électrique.
- Faites fonctionner l'appareil uniquement avec une tension de 110-120V CA 60Hz. Toute réparation ou maintenance des connexions et des composants conducteurs d'énergie doit être effectuée par un professionnel agréé.
- Ne pas utiliser une prise multiple ou une multiprise lors du branchement de l'appareil sur le secteur.
- Une prise dédiée et correctement mise à la terre, conforme aux spécifications de la fiche, est nécessaire pour minimiser les risques. L'appareil doit être correctement mis à la terre.
- Lorsque vous déplacez l'appareil, assurez-vous que le cordon d'alimentation n'est pas sous l'appareil ou endommagé.
- Les spécifications techniques de votre fournisseur d'énergie doivent correspondre aux données indiquées sur la plaque signalétique de l'appareil.
- Votre circuit domestique doit être équipé d'un disjoncteur automatique.
- Ne modifiez pas l'appareil de quelque manière que ce soit.

#### **RISQUE DE CHOC ÉLECTRIQUE**

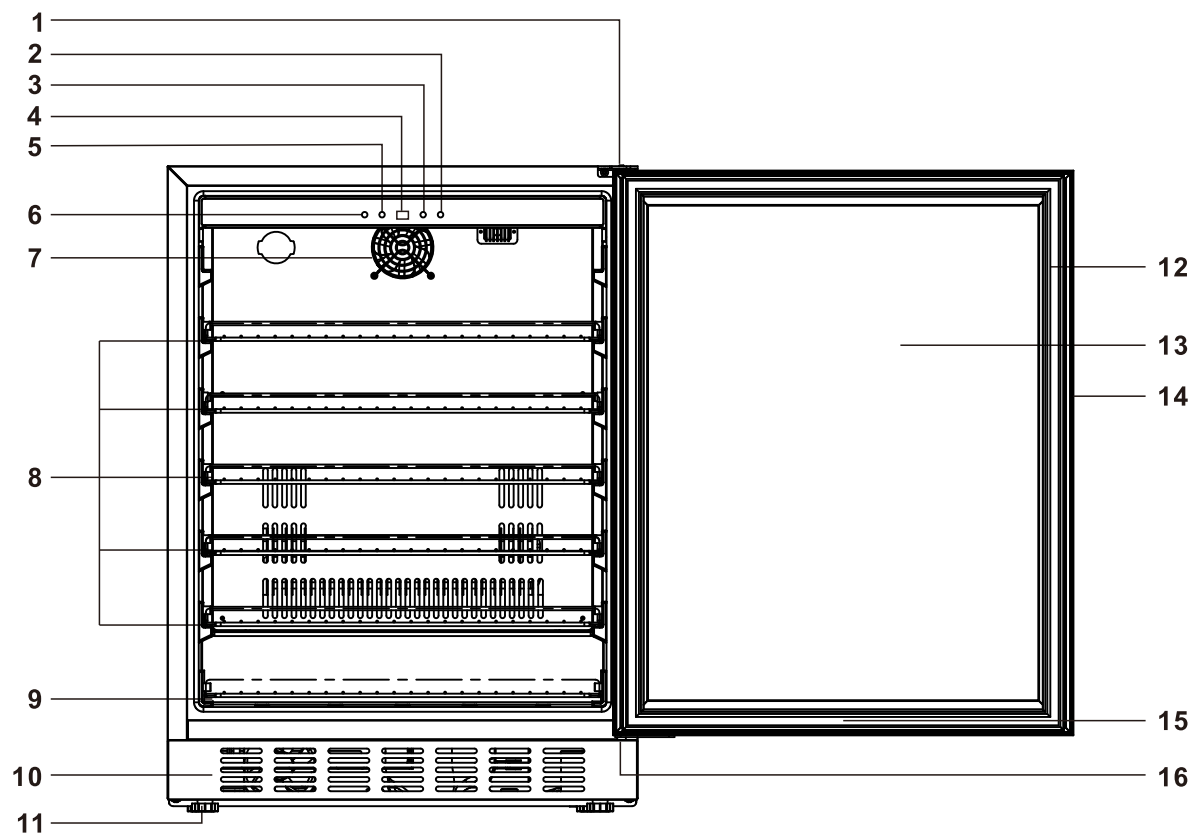
Coupez l'alimentation avant l'installation et la connexion au secteur. En aucun cas, les nettoyeurs à vapeur ne doivent être utilisés pour nettoyer ou dégivrer l'appareil. La vapeur peut entrer en contact avec les composants électriques, provoquant potentiellement un court-circuit. Évitez d'utiliser des dispositifs mécaniques, des couteaux ou d'autres objets tranchants pour retirer la glace incrustée à l'intérieur de l'appareil.

- Débranchez l'appareil du secteur avant de le nettoyer ou d'effectuer des opérations de maintenance.
- Débranchez l'appareil du secteur avant de le nettoyer ou d'effectuer des opérations de maintenance.
- Ne placez pas d'appareils émettant de la chaleur sur l'appareil.
- Évitez d'installer l'appareil dans un endroit où il pourrait être exposé à l'eau ou à la pluie, car cela pourrait endommager l'isolation du système électrique.
- Ne placez pas de bouilloires ou de vases sur votre appareil, car l'eau renversée ou le débordement peuvent sérieusement endommager les composants électriques.
- Les enfants ne doivent jamais jouer avec l'appareil, et si vous mettez l'appareil hors service, même temporairement, assurez-vous que les enfants ne peuvent pas y accéder.
- Ne touchez pas les surfaces extrêmement froides avec les mains mouillées ou humides, car votre peau peut coller à ces surfaces.
- Lorsque vous déplacez l'appareil, soulevez-le soigneusement par sa base et maintenez-le en position verticale. N'utilisez pas la porte pour déplacer l'appareil, car cela pourrait endommager les charnières.
- Ne faites pas fonctionner l'appareil à moins que tous les composants ne soient correctement installés.
- Ne vous tenez pas debout ou ne vous appuyez pas sur la base, les tiroirs, les portes ou d'autres parties de l'appareil.
- Ne mettez pas de liquides chauds ou d'aliments chauds dans l'appareil.

## 4. Caractéristiques

<b>MODÈLE</b>	EMPV-BR06S
<b>VOLUME</b>	137L
<b>TENSION</b>	AC 115V
<b>FRÉQUENCE</b>	60Hz
<b>TYPE DE PROTECTION</b>	I
<b>CLASSE CLIMATIQUE</b>	N
<b>PUISSANCE D'ENTRÉE</b>	65W±20%
<b>CONSOMMATION D'ÉNERGI</b>	0.528 Kw.h/24h
<b>PLAGE DE TEMPÉRATURE</b>	37-64°F (3-18°C)
<b>POIDS NET</b>	90.2 lbs
<b>DIMENSIONS DU PRODUIT</b>	W23.46 x H32.28 x D22.36inches

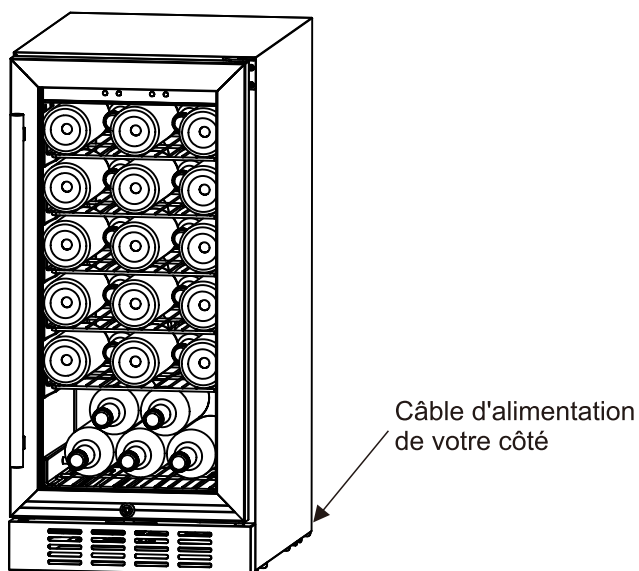
## 5. Vue d'ensemble de l'appareil



1. Charnière supérieure	2. Bouton de température	3. Bouton de température	4. Display
5. Lumière/clé °C°F	6. Clé de commutation	7. Ventilateur	8. Grandes étagères
9. Petites étagères	10. Fenêtre d'échappement	11. Pied	12. Joint de porte
13. Verre	14. Poignée	15. Verrou	16. Charnière inférieure

## 6. Avant la première utilisation

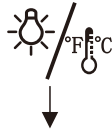
- Laissez l'appareil en position verticale pendant 4 à 6 heures avant de le brancher au secteur.
- Nettoyez soigneusement l'appareil, en accordant une attention particulière à l'intérieur (reportez-vous au chapitre Nettoyage et entretien).
- L'appareil doit être correctement connecté au secteur.
- Laissez l'appareil se stabiliser à la bonne température pendant environ 24 heures avant utilisation.
- Évitez de trop remplir l'appareil.
- Le cordon d'alimentation doit être dirigé comme indiqué ci-dessous, avec une longueur de 1,8 mètre.



## 7. Temperature Setting

### Clé de commutation:

Appuyez sur pour 3s pour l'allumer ou éteindre.



### Lumière/clé °C°F:

Appuyez sur pour allumer ou éteindre la lumière.

Le maintenir enfoncé 3s vous permet de choisir entre °F/°C.

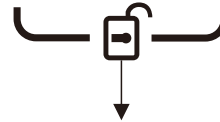
Affichage de Temp



Augmentation de temp



Diminution de temp



### Unlock:

Appuyez sur les deux flèches pour 3s à débloquer.

- Plage de température: 41-64°F (5-18°C).
- LED clignotante = Mode de réglage de la température.
- LED constante = Température de refroidissement
- Si aucune touche n'est actionnée pendant 10 minutes, la lumière s'éteint automatiquement.
- Si aucune touche n'est actionnée pendant 20 secondes, les touches plus et moins se verrouillent automatiquement. La touche de déverrouillage et la touche d'éclairage/unité fonctionnent normalement.
- L'unité de commande est remise sous tension après chaque arrêt. Le réglage de la température et de l'unité sera le même qu'avant l'arrêt, quelle que soit la durée de l'arrêt.
- Fonction de dégivrage forcé : Si le compresseur a fonctionné pendant 8 heures, il s'arrête pendant 45 minutes pour dégivrer.

## 8. Fonctionnement

- **Pour obtenir les températures appropriées à l'intérieur de l'appareil :**
- Assurez-vous que la température ambiante correspond à la classe climatique.
- Les portes se ferment correctement.
- Évitez d'ouvrir les portes trop fréquemment ou pendant une période prolongée.
- Les joints de porte sont en bon état.
- Positionnez correctement l'appareil.
- Évitez de trop remplir l'appareil.
- Ne stockez pas de nourriture chaude ou tiède à l'intérieur de l'appareil.

## 9. Économie d'énergie

- Assurez-vous que la température ambiante correspond à la classe climatique.
- Les portes se ferment correctement.
- Évitez d'ouvrir les portes trop fréquemment ou pendant une période prolongée.
- Les joints de porte sont en bon état.
- Positionnez correctement l'appareil.
- Évitez de trop remplir l'appareil.
- Ne stockez pas de nourriture chaude ou tiède à l'intérieur de l'appareil.

## 10. Nettoyage et entretien

### AVERTISSEMENT

Débranchez l'appareil de l'alimentation électrique avant de le nettoyer ou de l'entretenir.

- Nettoyez régulièrement l'appareil pour éviter les mauvaises odeurs.
- Les dépôts de poussière sur le condenseur augmenteront la consommation d'énergie. Nettoyez le condenseur deux fois par an avec un aspirateur ou une brosse douce.
- Retirez tous les anneaux et bracelets avant de nettoyer ou d'entretenir l'appareil pour éviter d'endommager sa surface.

### Détergent

- Utilisez des détergents doux et non acides pour le nettoyage, en évitant les détergents et solvants forts ou agressifs.

## Nettoyage extérieur

- Utilisez un chiffon humide pour le nettoyage extérieur, rincez à l'eau claire et séchez les surfaces avec un chiffon.

## Nettoyage intérieur

- Utilisez de l'eau tiède et un détergent doux et non acide pour nettoyer les pièces amovibles et l'intérieur, rincez à l'eau claire et séchez avec un chiffon. Vérifiez l'évacuation de l'eau et nettoyez-la si nécessaire.

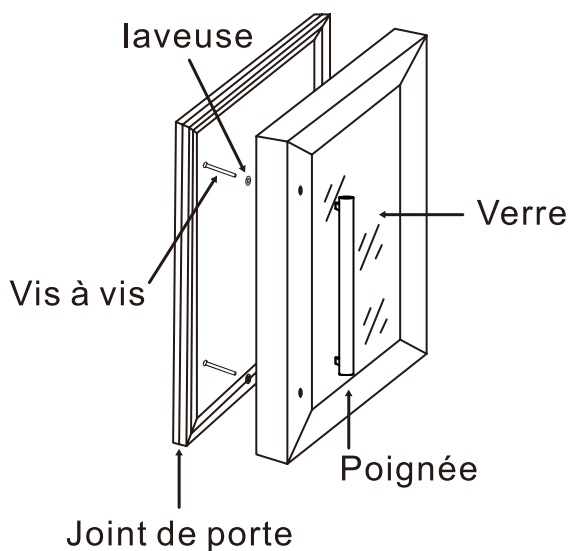
## 11. Comment déplacer l'appareil

- Remove all bottles.
- Secure all loose items inside the appliance.
- Turn the level feet up to the base to avoid damage.
- Tape the door.
- Move the appliance in an upright position.

## 12. Installation

### • Pour installer la poignée de la porte:

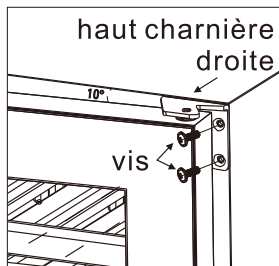
- L'unité a été expédiée avec la poignée de porte stockée en toute sécurité à l'intérieur. Attaché aux étagères.
- Retirez doucement le joint de la porte des trous de vis où vous fixerez la poignée.
- Utilisez les deux vis et rondelles incluses pour fixer la poignée de porte au cadre de la porte.



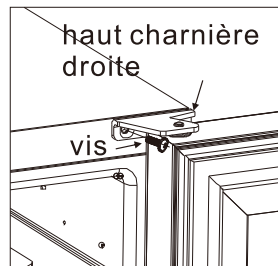
● **Pour inverser le sens d'ouverture de la porte:**

Lorsque vous recevez votre refroidisseur à vin, veuillez noter que la porte s'ouvre à gauche. Si vous souhaitez inverser le sens d'ouverture de la porte pour qu'elle s'ouvre de la droite, il est essentiel d'avoir au moins une autre personne pour vous aider. Tenter d'inverser le sens d'ouverture de la porte seul peut être dangereux, car la porte peut tomber et le verre peut se briser, ce qui représente un danger important.

1. Ouvrez la porte à 10° et retirez les 2 vis du côté droit de la charnière supérieure.



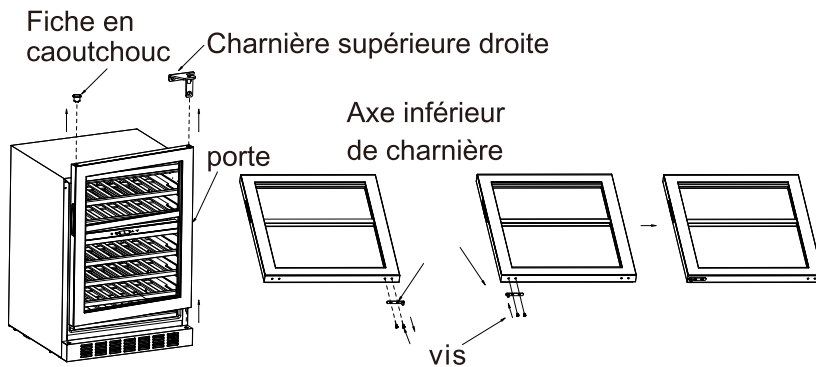
2. Ouvrir la porte à 180° et éliminer 1 vis sur le côté gauche de la charnière supérieure



3. Retirez la charnière supérieure droite et le bouchon en plastique gauche, tirez la porte vers le haut et vers l'extérieur.

4. Retirez les 2 vis sur le côté droit du bas de la porte et l'arbre de charnière inférieur.

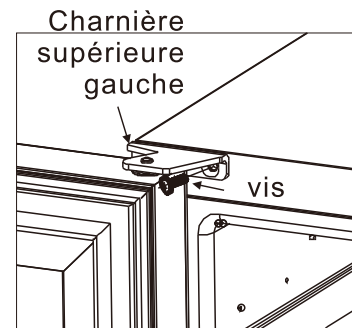
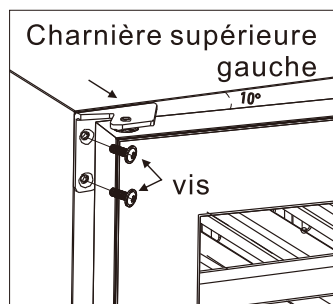
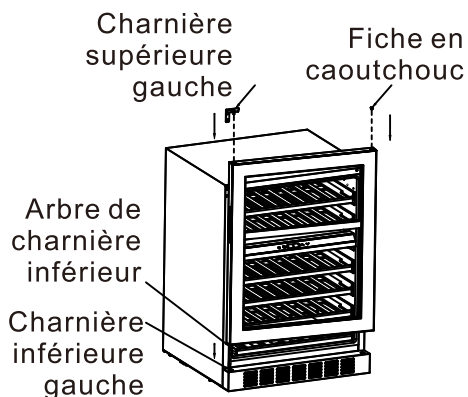
5. Ajuster le trou de vis sur le côté gauche de la porte, placer la charnière inférieure arbre et le fixer avec des vis



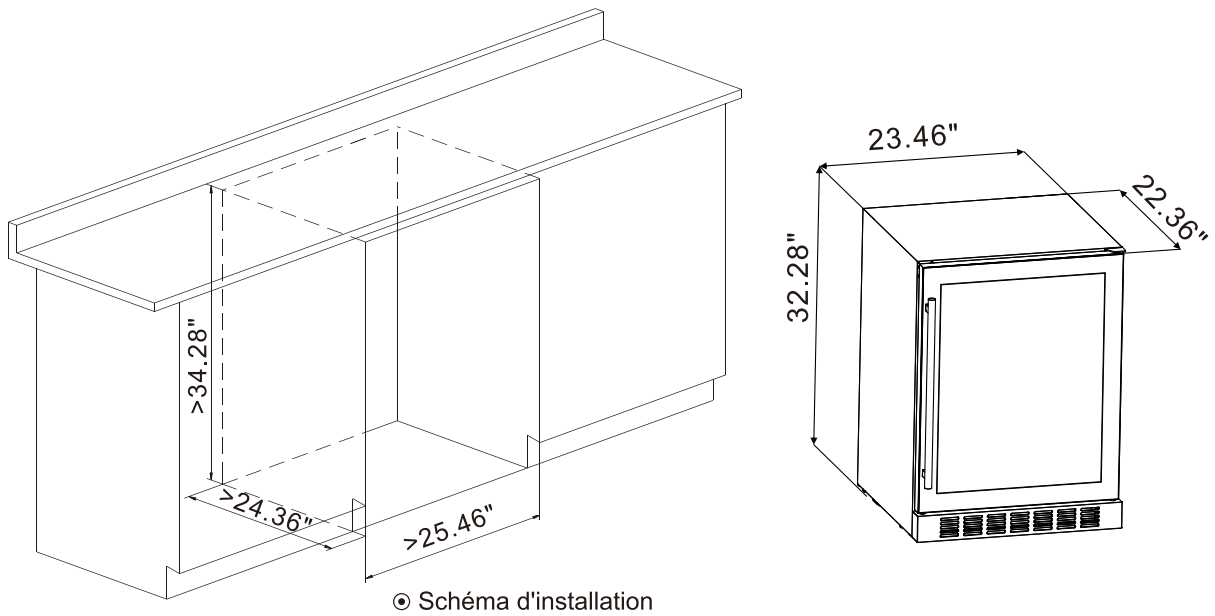
6. Pointez l'arbre de charnière inférieur avec le trou de charnière inférieur gauche, mettez le corps de porte verticalement dans le trou inférieur gauche de charnière, mettez la charnière gauche supérieure dans le haut de la porte selon le trou d'arbre, et mettez la prise en caoutchouc dans le côté droit de la porte.

7. Ouvrez la porte à 10° et serrez 2 vis à gauche.

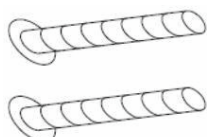

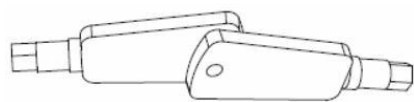
8. Ouvrez légèrement la porte à 180° et serrez 1 vis à droite.



- **Dimensions du meuble:**



- **Détails des pièces de rechange:**

Pièces de rechange	Photos	Utilisation
Joint x 2		Pour ouvrir la porte depuis la tension.
Joint x 2		Pour l'installation de la poignée.
Clés 2		Pour verrouiller la porte.

## 13. Détails des pièces de rechange:

CAUSE POSSIBLE	MESURE
La prise de l'appareil n'est pas connectée à la prise murale.	Vérifiez la prise correspondante en la connectant à un autre appareil.
La prise est desserrée.	Vérifiez le tableau des fusibles.
<ul style="list-style-type: none"> <li>• La prise murale n'est pas alimentée en énergie.</li> <li>• Le fusible est éteint.</li> <li>• La tension est trop faible.</li> </ul>	Comparez les données de la plaque signalétique avec celles de votre fournisseur d'énergie.
La porte a été ouverte fréquemment.	Fermez correctement la porte.
La porte n'est pas correctement fermée.	Ne pas trop remplir
<ul style="list-style-type: none"> <li>• L'appareil est trop rempli. Les joints de porte sont endommagés.</li> </ul>	Remplacez le joint.
<ul style="list-style-type: none"> <li>• La carte de contrôle principale est défectueuse.</li> <li>• La carte PCB est défectueuse.</li> <li>• La prise est défectueuse.</li> </ul>	Contactez le service.
<ul style="list-style-type: none"> <li>• La LED est défectueuse.</li> <li>• La température ne peut pas être déterminée.</li> </ul>	Contactez le service.
L'appareil n'est pas installé sur un sol plat, sec et solide.	Réalignez l'appareil. Réajustez l'appareil
L'appareil est en contact avec un mur ou un autre objet. Les bouteilles sont mal positionnées.	Réalignez les bouteilles.
Certains objets sont tombés derrière l'appareil.	Retirez ces objets.
L'appareil n'est pas installé sur un sol plat, sec et solide.	Réalignez l'appareil.
Le joint de porte est défectueux.	Remplacez le joint de porte.
Les étagères ne sont pas correctement insérées.	Insérez correctement les étagères.
Le panneau de contrôle est défectueux.	Contactez le service.

## 14. Mise hors service

- **Prenez soin de l'appareil lors de périodes prolongées de non-utilisation:**

1. Débranchez la prise de la prise murale.
2. Retirez tous les aliments stockés dans l'appareil.
3. Essuyez l'intérieur de l'appareil avec un chiffon et laissez la porte ouverte pendant quelques jours.

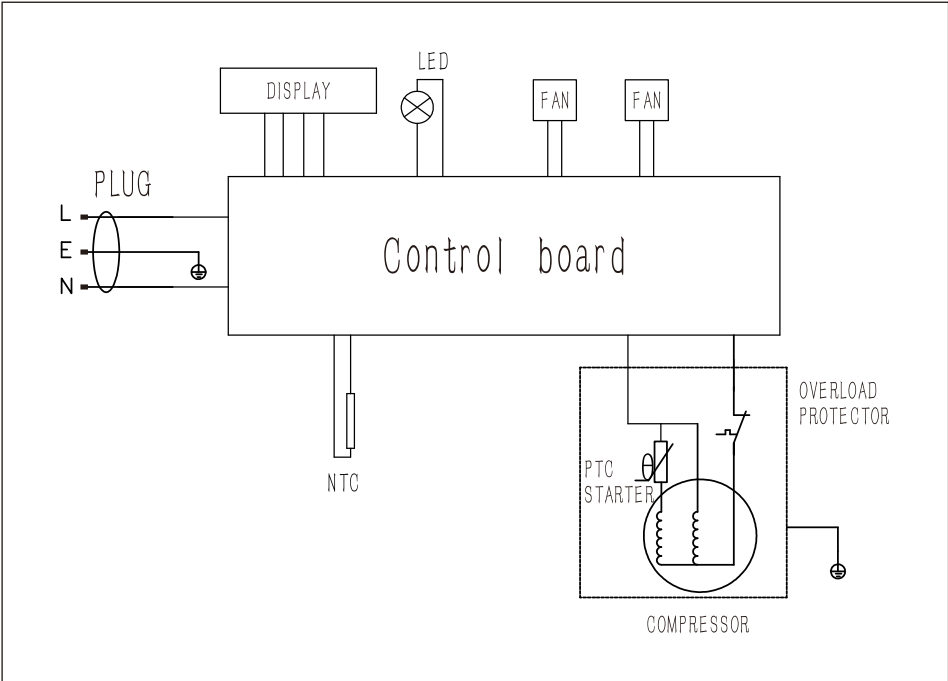
- **Pour des vacances moyennes (14-21 jours):**

1. Suivez les étapes ci-dessus ou ne laissez pas l'appareil fonctionner.
2. Retirez tous les aliments périssables du compartiment de refroidissement.
3. Nettoyez le compartiment de refroidissement.
4. Congelez tous les aliments appropriés.

- **Lors du déplacement de l'appareil e:**

1. Fixez toutes les pièces amovibles et le contenu de l'appareil séparément si nécessaire.
2. Transportez l'appareil uniquement en position verticale pour éviter d'endommager le compresseur.
3. Évitez d'endommager les pieds de l'appareil.

# 15. Schéma de circuit électrique

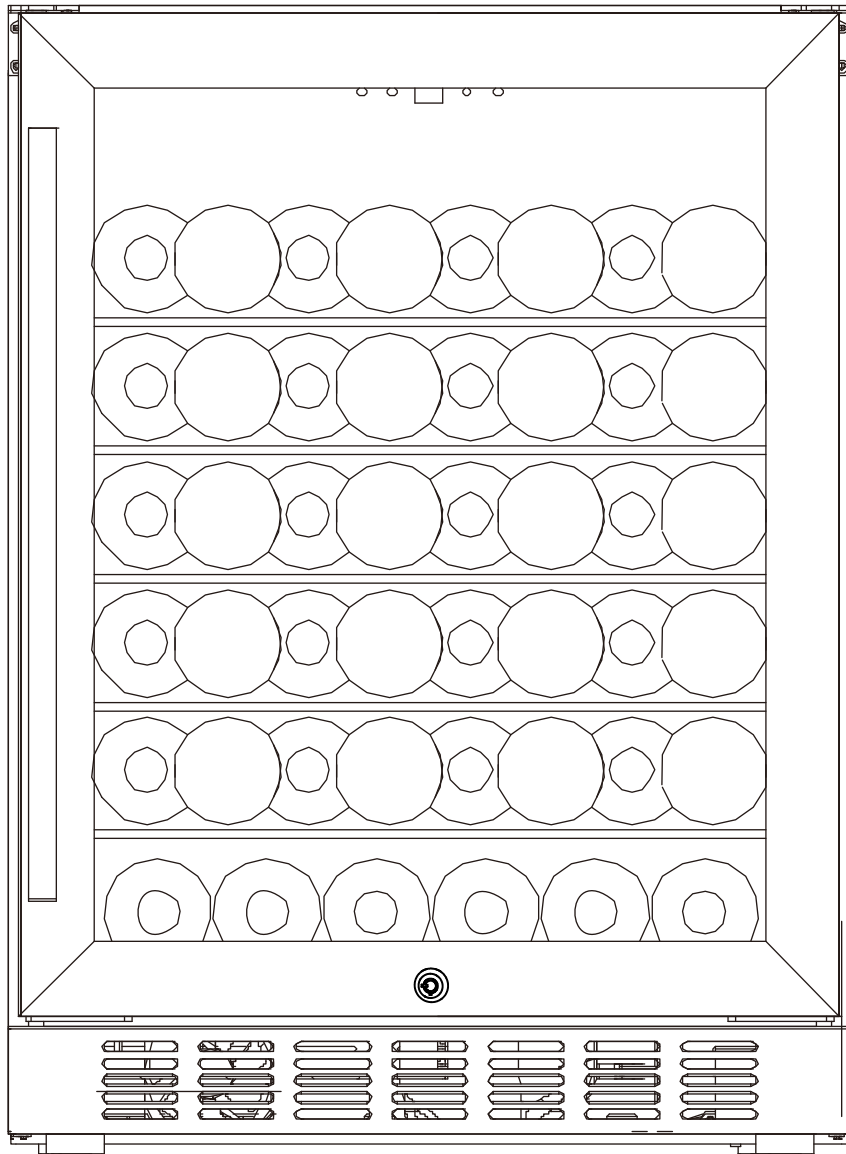




# NEVERAS PARA BEBIDAS

## Manual del usuario

EMPV-BR06S





## CONTENIDO

1. Preparación.....	4
2. Medidas de seguridad e instrucciones .....	4
3. Advertencias y precauciones.....	5
4. Especificaciones .....	7
5. Descripción general del dispositivo.....	7
6. Antes de la operación inicial.....	8
7. Ajuste de temperatura.....	9
8. Funcionamiento.....	10
9. Ahorro de energía.....	10
10. Limpieza y mantenimiento.....	10
11. Cómo mover el aparato.....	11
12. Instalación .....	11
13. Solución de problemas.....	14
14. Desmantelamiento.....	15
15. Diagrama de circuito eléctrico.....	16

Gracias por elegir nuestro producto. Para utilizar nuestros productos de manera segura y efectiva, lea detenidamente estas instrucciones. La instalación, operación o mantenimiento inadecuados causarán daños a los productos y resultarán en un cargo adicional por reparación.

## 1.Preparación

- Antes del primer uso, retire cualquier pegatina u objetos similares adheridos al aparato, con excepción de la etiqueta de clasificación.
- Deseche adecuadamente las bolsas de plástico, ya que pueden representar un riesgo de asfixia para los niños pequeños.
- Por favor, lea el manual antes de operar el aparato y guárdelo posteriormente en un lugar seguro para futuras consultas. Si este aparato se transfiere a un nuevo propietario, se debe proporcionar el manual. No seguir las instrucciones de seguridad descritas en el manual puede llevar a un riesgo grave para su salud y vida.

## 2.Medidas de seguridad e instrucciones

- Antes de utilizar el aparato, verifique que el voltaje indicado en la placa técnica del aparato sea consistente con el voltaje de la electricidad suministrada en su hogar.
- Inspeccione los periféricos técnicos del aparato. ¿Están todos los cables y conexiones en buen estado de funcionamiento y cumplen con las especificaciones técnicas del aparato? La verificación de las conexiones existentes y las nuevas debe ser realizada por un profesional autorizado. Todas las conexiones y componentes que conducen energía, incluidos los cables dentro de una pared, deben ser inspeccionados por un profesional calificado.
- Cualquier modificación realizada en la red eléctrica para facilitar la instalación del aparato debe ser realizada únicamente por un profesional calificado.
- Este aparato está diseñado para enfriar vino únicamente en hogares particulares.
- Este electrodoméstico está diseñado solo para uso en interiores.
- Este electrodoméstico no está destinado a ser utilizado con fines comerciales, durante acampadas o en transporte público.
- No permita que alguien que no esté familiarizado con el manual de instrucciones opere el aparato. Este electrodoméstico puede ser utilizado por niños de 8 años en adelante, así como por personas con capacidades físicas, sensoriales o mentales reducidas, o aquellos que carezcan de experiencia y conocimientos, si están supervisados o instruidos sobre el uso seguro del aparato y comprenden los riesgos asociados.
- Los niños no deben jugar con el aparato, y cualquier limpieza o mantenimiento por parte del usuario debe ser supervisado por un adulto.
- El funcionamiento del aparato a temperaturas ambiente inferiores a 10°C o superiores a 32°C puede afectar negativamente su rendimiento.

### 3.Advertencias y precauciones

- No conecte el electrodoméstico a la red eléctrica si el electrodoméstico, el cable de alimentación o el enchufe están visiblemente dañados.
- Nunca intente reparar el electrodoméstico usted mismo. Si el electrodoméstico no funciona correctamente, comuníquese con la tienda donde lo compró. Utilice solo repuestos originales.
- Si el cable de alimentación está dañado, debe ser reemplazado por el fabricante, un proveedor de servicios postventa autorizado o un profesional calificado.
- Si alguna parte del circuito de enfriamiento está dañada, no coloque el electrodoméstico cerca de una llama abierta, dispositivos generadores de chispas u otras fuentes potenciales de ignición. Comuníquese de inmediato con la tienda donde compró el electrodoméstico.
- Al desechar o desmantelar el electrodoméstico, mantenga todos los componentes alejados del fuego y otras fuentes de ignición.
- No instale el electrodoméstico cerca de materiales volátiles o combustibles como gas, combustible, alcohol o pinturas, o en áreas con mala circulación de aire como un garaje.

#### **PELIGRO DE EXPLOSIÓN**

No almacene materiales explosivos ni aerosoles que contengan propelentes . inflamables en su electrodoméstico.

- Quite todo el embalaje y los protectores de tránsito antes de conectar el electrodoméstico a la fuente eléctrica.
- Opere el electrodoméstico utilizando solamente 110-120V CA 60Hz. Cualquier reemplazo o mantenimiento de conexiones y componentes que conducen energía debe ser realizado por un profesional autorizado.
- No utilice una regleta o un múltiple de enchufes al conectar el electrodoméstico a la red eléctrica.
- Se requiere un enchufe dedicado y debidamente conectado a tierra que cumpla con las especificaciones del enchufe para minimizar cualquier riesgo. El electrodoméstico debe estar conectado a tierra correctamente.
- Al mover el electrodoméstico, asegúrese de que el cable de alimentación no esté debajo del electrodoméstico ni esté dañado.
- Las especificaciones técnicas de su proveedor de energía deben cumplir con los datos especificados en la placa del modelo del electrodoméstico.
- Su circuito doméstico debe estar equipado con un interruptor automático de circuito.
- No modifique el electrodoméstico de ninguna manera.

#### **RIESGO DE CHOQUE ELÉCTRICO**

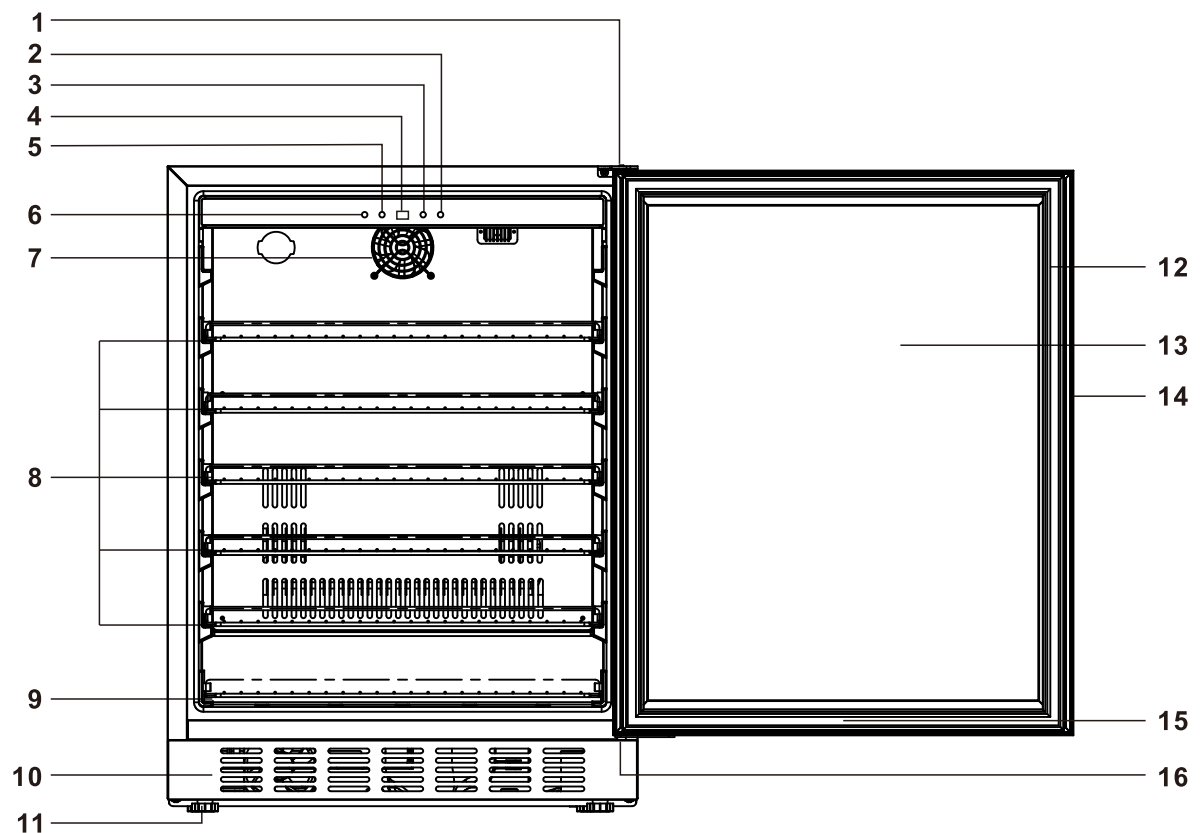
Desconecte la alimentación antes de la instalación y la conexión a la red eléctrica. Bajo ninguna circunstancia se deben utilizar limpiadores a vapor para limpiar o descongelar el electrodoméstico. El vapor puede entrar en contacto con los componentes eléctricos, lo que podría provocar un cortocircuito. Evite el uso de dispositivos mecánicos, cuchillos u otros objetos afilados para eliminar el hielo incrustado en el interior del electrodoméstico.

- Desconecte el electrodoméstico de la red eléctrica antes de limpiarlo o realizar mantenimiento.
- No utilice electrodomésticos eléctricos dentro de los compartimentos de almacenamiento de alimentos de su electrodoméstico, a menos que sean recomendados por el fabricante de su refrigerador.
- No coloque ningún electrodoméstico que irradie calor encima del electrodoméstico.
- Evite instalar el electrodoméstico en un lugar donde pueda estar expuesto al agua o la lluvia, ya que esto podría dañar el aislamiento del sistema eléctrico.
- No coloque calentadores de agua o jarrones encima de su electrodoméstico, ya que el agua derramada o el hervor excesivo pueden dañar seriamente los componentes eléctricos.
- Los niños nunca deben jugar con el electrodoméstico y, si lo desactiva, incluso temporalmente, asegúrese de que los niños no puedan acceder a él.
- No toque las superficies extremadamente frías con las manos mojadas o húmedas, ya que su piel puede pegarse a estas superficies.
- Al mover el electrodoméstico, levántelo con cuidado desde su base y manténgalo en posición vertical. No utilice la puerta para mover el electrodoméstico, ya que esto podría dañar las bisagras.
- No opere el electrodoméstico a menos que todos los componentes estén instalados correctamente.
- No se pare ni se apoye en la base, los cajones, las puertas u otras partes del electrodoméstico.
- No coloque líquidos calientes ni alimentos calientes en el electrodoméstico.
- Desconecte el electrodoméstico de la red eléctrica antes de limpiarlo o realizar mantenimiento.
- No utilice electrodomésticos eléctricos dentro de los compartimentos de almacenamiento de alimentos de su electrodoméstico, a menos que sean recomendados por el fabricante de su refrigerador.
- No coloque ningún electrodoméstico que irradie calor encima del electrodoméstico.
- Evite instalar el electrodoméstico en un lugar donde pueda estar expuesto al agua o la lluvia, ya que esto podría dañar el aislamiento del sistema eléctrico.
- No coloque calentadores de agua o jarrones encima de su electrodoméstico, ya que el agua derramada o el hervor excesivo pueden dañar seriamente los componentes eléctricos.
- Los niños nunca deben jugar con el electrodoméstico y, si lo desactiva, incluso temporalmente, asegúrese de que los niños no puedan acceder a él.
- No toque las superficies extremadamente frías con las manos mojadas o húmedas, ya que su piel puede pegarse a estas superficies.
- Al mover el electrodoméstico, levántelo con cuidado desde su base y manténgalo en posición vertical. No utilice la puerta para mover el electrodoméstico, ya que esto podría dañar las bisagras.
- No opere el electrodoméstico a menos que todos los componentes estén instalados correctamente.
- No se pare ni se apoye en la base, los cajones, las puertas u otras partes del electrodoméstico.
- No coloque líquidos calientes ni alimentos calientes en el electrodoméstico.

## 4. Especificaciones

MODELO	EMPV-BR06S
VOLUMEN	137L
VOLTAJE	AC 115V
FRECUENCIA	60Hz
TIPO DE PROTECCIÓN	I
CLASE CLIMÁTICA	N
POTENCIA DE ENTRADA	65W±20%
CONSUMO DE ENERGÍA	0.528 Kw.h/24h
RANGO DE TEMPERATURA	37-64°F (3-18°C)
PESO NETO	90.2 lbs
DIMENSIÓN DEL PRODUCTO	W23.46 x H32.28 x D22.36inches

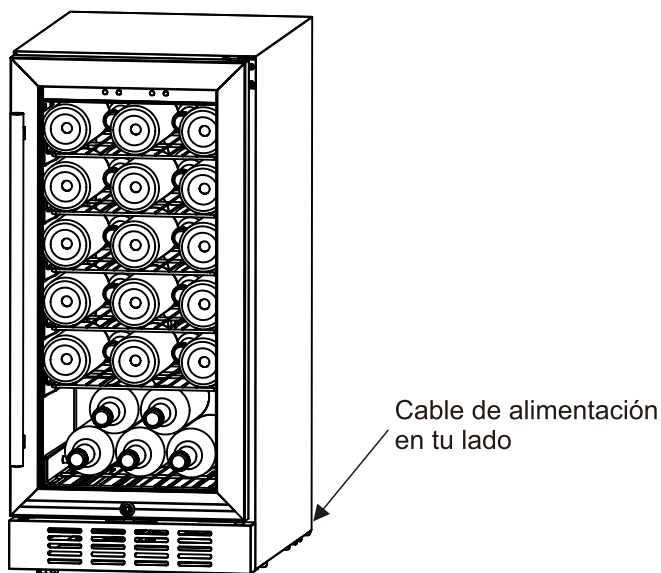
## 5. Descripción general del dispositivo



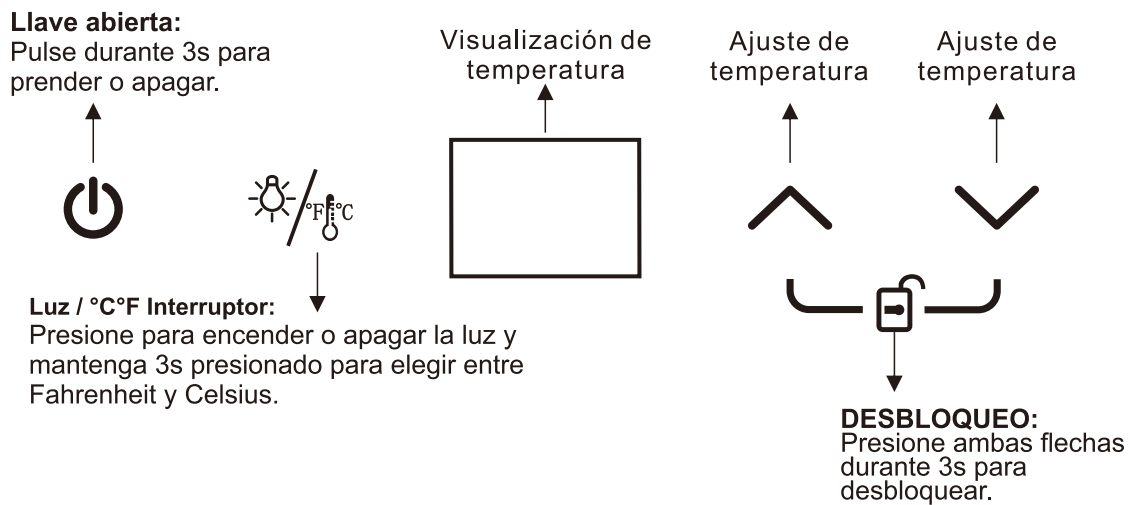
1. Bisagra superior	2. Botón de temperatura	3. Botón de temperatura	4. Pantalla
5. Luz/ °C°F Interruptor	6. Llave abierta	7. Ventilador	8. Gran estante
9. Pequeño estante	10. Orificio	11. Pie	12. Junta de puerta
13. Vidrio	14. Mango	15. Bloqueo	16. Bisagra inferior

## 6. 6. Antes de la operación inicial

- Deje el electrodoméstico en posición vertical durante 4-6 horas antes de conectarlo a la red eléctrica.
- Limpie el electrodoméstico a fondo, prestando especial atención al interior (consulte el capítulo Limpieza y mantenimiento).
- El electrodoméstico debe conectarse correctamente a la red eléctrica.
- Permita que el electrodoméstico se estabilice a la temperatura adecuada durante aproximadamente 24 horas antes de su uso.
- Evite llenar en exceso el electrodoméstico.
- El cable de alimentación debe dirigirse como se muestra a continuación, con una longitud de 1.8 metros.



## 7. Temperature Setting



- Rango de temperatura: 41-64°F (5-18°C).
- LED parpadeante = Modo de configuración de la temperatura.
- LED constante = Temperatura de enfriamiento.
- Si no se presiona ninguna tecla por 10 minutos, la luz se apagará automáticamente.
- Si no se presiona ninguna tecla por 12 segundos, el panel se bloqueará automáticamente. Una vez bloqueado, las teclas más y menos no funcionarán.
- La tecla de desbloqueo y la tecla de luz/FC funcionarán con normalidad.
- Función de memoria: En caso de un corte de energía repentino, la temperatura ajustadaeantendrá, recordando la temperatura previamente establecida.
- Descongelado forzado: Cuando el compresor haya funcionado por 8 horas, se detendrá por 45 minutos.

## 8. Funcionamiento

- **Para lograr las temperaturas adecuadas dentro del electrodoméstico:**
  - Asegúrese de que la temperatura ambiente corresponda a la clase climática.
  - Las puertas cierran de manera segura.
  - Evite abrir las puertas con demasiada frecuencia o durante un período prolongado.
  - Las juntas de las puertas están en buen estado.
  - Posicione el electrodoméstico correctamente.
  - Evite llenar demasiado el electrodoméstico.
  - No almacene alimentos calientes o tibios dentro del electrodoméstico.

## 9. Ahorro de energía

- Intente minimizar la frecuencia de apertura de la puerta, especialmente en clima cálido y húmedo. Cuando abra la puerta, ciérrela rápidamente.
- Asegúrese de que el electrodoméstico esté siempre bien ventilado.
- Desconecte el electrodoméstico de la red eléctrica si no se va a utilizar.
- Mantenga las juntas de las puertas limpias y en buenas condiciones en todo momento.

## 10. Limpieza y mantenimiento

### ADVERTENCIA

Desconecte el electrodoméstico de la red eléctrica antes de limpiarlo o realizar mantenimiento

- Limpie el electrodoméstico regularmente para evitar olores desagradables.
- El polvo acumulado en el condensador aumentará el consumo de energía. Limpie el condensador dos veces al año con una aspiradora o un cepillo suave.
- Antes de limpiar o realizar el mantenimiento del electrodoméstico, quítese todos los anillos y pulseras para evitar dañar su superficie.

### Detergente

- Utilice detergentes suaves y no ácidos para la limpieza, evitando detergentes y disolventes fuertes o agresivos.

## Limpeza externa

- Utilice un paño húmedo para la limpieza externa, enjuague con agua limpia y seque las superficies con un paño.

## Limpeza interna

- Utilice agua tibia y un detergente suave y no ácido para limpiar las partes extraíbles y el interior, enjuague con agua limpia y seque con un paño. Verifique el desagüe de agua y límpielo si es necesario.

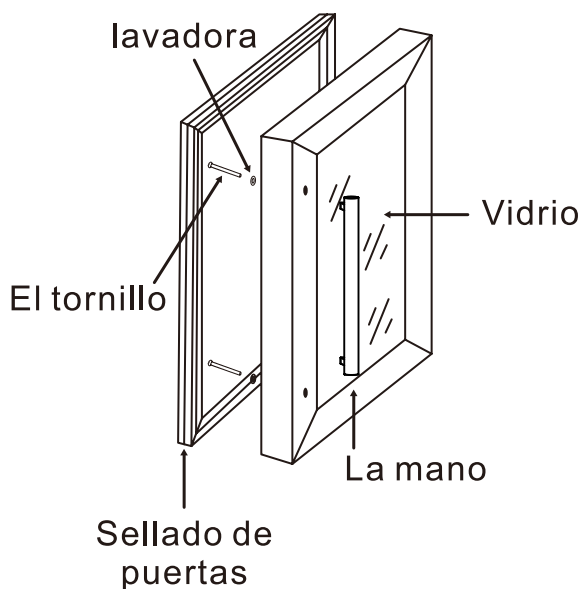
## 11. Cómo mover el aparato

- Retire todas las botellas.
- Asegure todos los objetos sueltos dentro del electrodoméstico.
- Gire los pies niveladores hacia la base para evitar daños.
- Cinta la puerta.
- Mueva el electrodoméstico en posición vertical.

## 12. Instalación

### ● Para instalar el asa de la puerta:

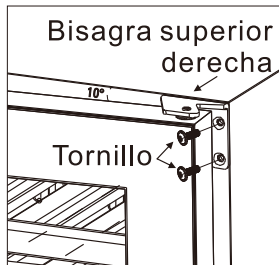
- The unit has been shipped with the door handle securely stored inside, attached to the shelves.
- Gently pull the door gasket back from the screw holes where you will attach the handle.
- Use the two included screws and washers in order to fasten the door handle to the frame of the door.



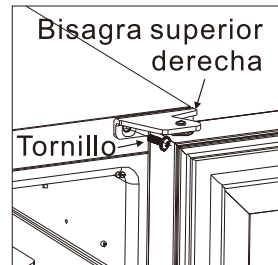
● **Para invertir el sentido de apertura de la puerta:**

Al recibir su enfriador de vino, tenga en cuenta que la puerta se abre hacia la izquierda. Si desea invertir el sentido de apertura de la puerta para que se abra desde la derecha, es esencial contar con al menos otra persona para ayudarlo. Intentar invertir el sentido de apertura de la puerta por sí solo puede ser peligroso, ya que la puerta puede caerse y el vidrio puede romperse, lo que representa un riesgo significativo.

1. Abrir la puerta 10° y quitar los 2 tornillos en el lado derecho de la bisagra superior.



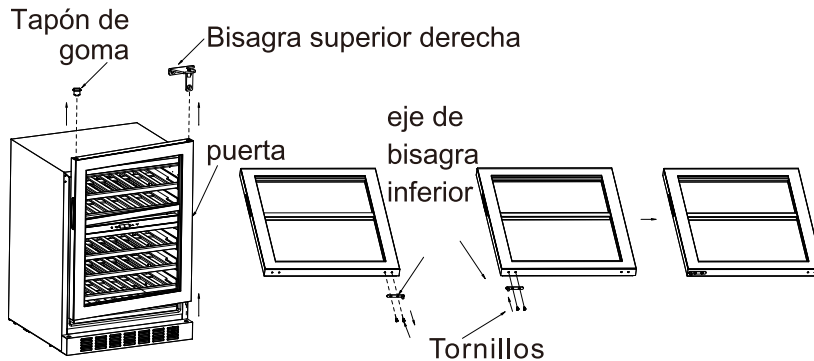
2. Abrir la puerta 180° y quitar el 1 tornillo en el lado izquierdo de la bisagra superior



3. Retire la bisagra superior derecha y el enchufe de plástico izquierdo, Tire de la puerta hacia arriba y hacia fuera.

4. Remueve los 2 tornillos en el lado derecho de la parte inferior de la puerta y eje de bisagra inferior.

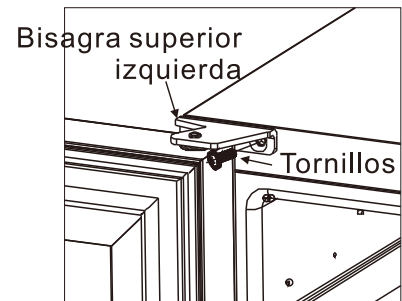
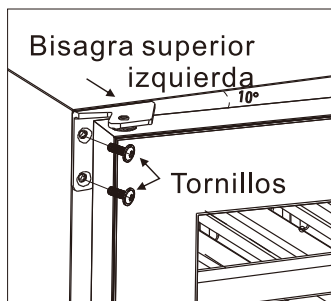
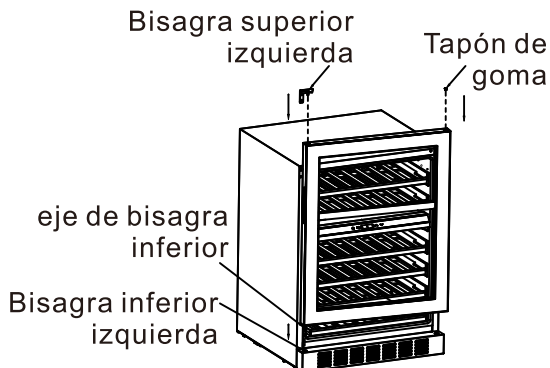
5. Ajuste el orificio del tornillo en el lado izquierdo de la puerta, coloque la bisagra inferior eje y fijarlo con tornillos



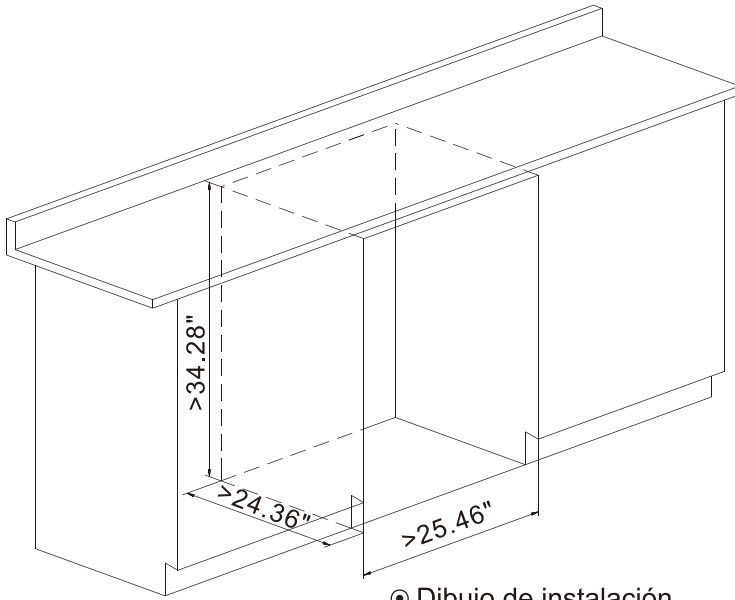
6. apunte el eje de bisagra inferior con el agujero de bisagra inferior izquierdo, ponga el cuerpo de la puerta verticalmente en el agujero de bisagra inferior izquierdo, ponga la bisagra superior izquierda en la parte superior de la puerta de acuerdo con el agujero del eje y ponga el tapón de goma en el lado derecho de la puerta.

7. Abra la puerta a 10° y apriete 2 tornillos a la izquierda.

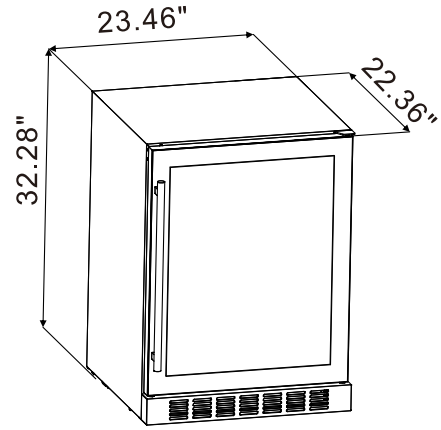
8. Abra la puerta ligeramente a 180° y apriete 1 tornillo a la derecha.



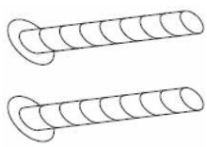

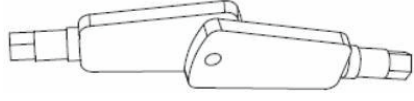
- **Dimensiones del gabinete:**



⊙ Dibujo de instalación



- **Spare Parts Details:**

Spare Parts	Pictures	Use
Screw x 2		For the handle installation.
Gasket x 2		For the handle installation.
Key x 2		To lock the door.

## 13. Solución de problemas

POSSIBLE CAUSE	MEASURE
El enchufe del electrodoméstico no está conectado a la toma de corriente.	Vérifiez la prise correspondante en la connectant à un autre appareil.
La prise est desserrée.	Vérifiez le tableau des fusibles.
<ul style="list-style-type: none"> <li>• La toma de corriente no tiene suministro eléctrico.</li> <li>• El fusible está apagado.</li> <li>• El voltaje es demasiado bajo.</li> </ul>	Compare los datos de la placa del modelo con los datos de su proveedor de energía.
La puerta se abrió con frecuencia.	Cierre la puerta correctamente.
La puerta no está cerrada correctamente.	No sobrecargue.
<ul style="list-style-type: none"> <li>• El electrodoméstico está demasiado lleno.</li> <li>Las juntas de la puerta están dañadas.</li> </ul>	Reemplace la junta.
<ul style="list-style-type: none"> <li>• La placa de control principal está defectuosa.</li> <li>• La placa PCB está defectuosa.</li> <li>• El enchufe está defectuoso.</li> </ul>	Póngase en contacto con el servicio.
<ul style="list-style-type: none"> <li>• El LED está defectuoso.</li> <li>• No se puede determinar la temperatura.</li> </ul>	Póngase en contacto con el servicio
El electrodoméstico no está instalado en un suelo nivelado, seco y sólido.	Vuelva a alinear el electrodoméstico. Reajuste el electrodoméstico.
El electrodoméstico está en contacto con una pared u otro objeto. Las botellas están colocadas incorrectamente.	Vuelva a alinear las botellas.
Algunos objetos han caído detrás del electrodoméstico.	Retire estos elementos.
El electrodoméstico no está instalado en un suelo nivelado, seco y sólido	Vuelva a alinear el electrodoméstico.
El sello de la puerta está defectuoso.	Reemplace el sello de la Puerta.
Los estantes no están insertados correctamente.	Inserte correctamente las estanterías.
El panel de control está defectuoso.	Póngase en contacto con el servicio.

## 14. Desmantelamiento

- **Cuide adecuadamente el electrodoméstico durante períodos prolongados de no uso:**

1. Desconecte el enchufe de la toma de corriente.
2. Retire todos los alimentos almacenados en el electrodoméstico.
3. Seque el interior del electrodoméstico con un paño y deje la puerta abierta durante unos días.

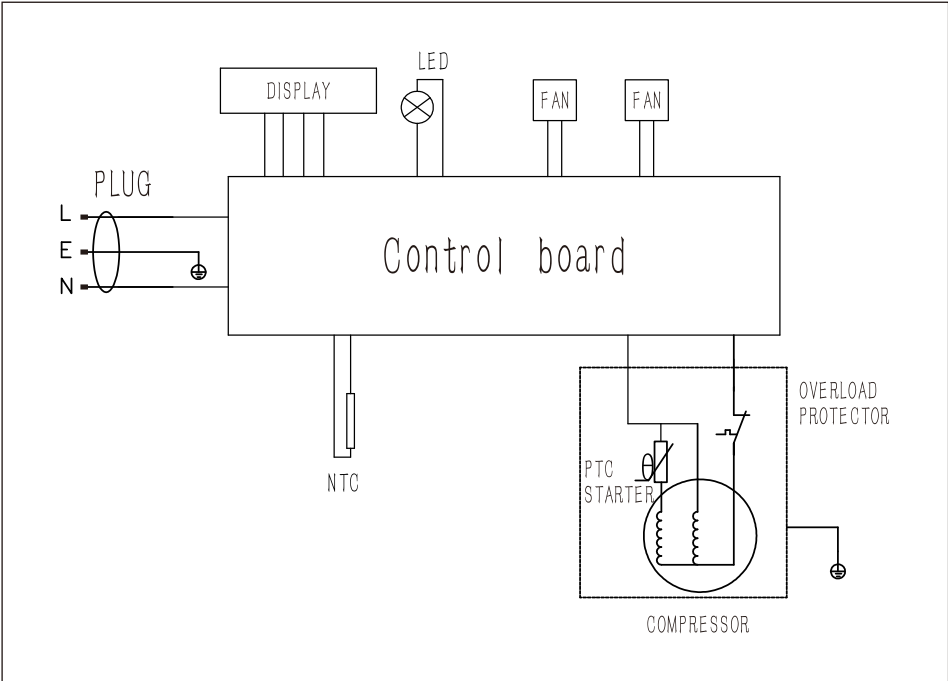
- **Para unas vacaciones promedio (14-21 días):**

1. Siga los pasos anteriores o no permita que el electrodoméstico funcione.
2. Retire todos los alimentos perecederos del compartimento de refrigeración.
3. Limpie el compartimento de refrigeración.
4. Congele todos los alimentos adecuados.

- **Al mover el electrodoméstico:**

1. Asegure todas las partes extraíbles y el contenido del electrodoméstico por separado si es necesario.
2. Transporte el electrodoméstico en posición vertical únicamente para evitar daños al compresor.
3. Evite dañar los pies del electrodoméstico.

# 15. Diagrama de circuito eléctrico





**WARNING!**  
**CALIFORNIA RESIDENTS**  
**Cancer and Reproductive Harm**



**AVERTISSEMENT!**  
**RÉSIDENTS DE CALIFORNIE**  
**Cancer et Dommages à la Reproduction**



**¡ADVERTENCIA!**  
**RESIDENTES DE CALIFORNIA**  
**Cáncer y Daño Reproductivo**

[www.P65Warnings.ca.gov](http://www.P65Warnings.ca.gov)

**EMPAVA APPLIANCES INC.**  
Add: 458 Parriott PI W  
City of Industry, CA, 91745  
TEL: 888-682-8882  
[WWW.EMPAVA.COM](http://WWW.EMPAVA.COM)