



WALK-IN TUB INSTALLATION INSTRUCTIONS AND OWNER'S MANUAL

EMPV-54WIT09

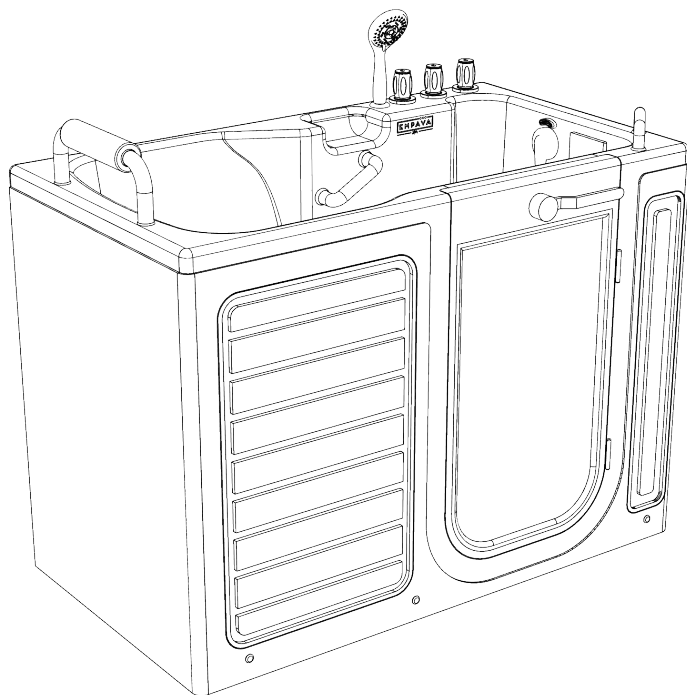




TABLE OF CONTENTS

Instruction before installation	01
Preparing tools before installation	02
Size chart	03
Bathtub Plumbing Locator Diagram	04
Installation procedures	05
Care and Maintenance	08
Troubleshooting Guide	08

Instruction before installation

▲ WARNING :

when using this tub, the following basic precautions should be followed:

- Avoid the risk of electrical shock. Connect only to a circuit protected by a ground-fault circuit-interrupter (GFCI). Grounding is required; All electrical connections should be made by a licensed electrician, in accordance with requirements of national electrical codes and procedures.
- Installer/owner bears all responsibility to comply with all state and local building codes when installing this unit.

Testing your walk-in tub before installation by following procedures

1. Before unpack the unit, please inspect the carton carefully for any damage. Any damage, please take a picture or record all damage carefully. If necessary, contact your dealer/distributor immediately to file a freight claim.
2. Unpack the carton, then inspect the carton carefully for any damage and check if all the spare parts are there. If there is any damage, please take a picture or record all it carefully. If necessary, contact your dealer/distributor immediately.
3. Water test before installation. Although all our walk-in tubs are water tested before they leave our factory, there may be some loose of the hose connections due to the transport.
 - (1) Place the tub on a flat surface in an area where it may be drained after testing.
 - (2) Check if there is any loose of the connection system.
 - (3) Close the door, fill the tub with water to the overflow and allow standing for a few minutes to inspect the tub for leaks.

▶ IMPORTANT :

Failure to follow the pre-installation instruction and water test the bathtub before installation, manufacturer will not be liable for the removal or installation of the bathtub.

Preparing tools before installation

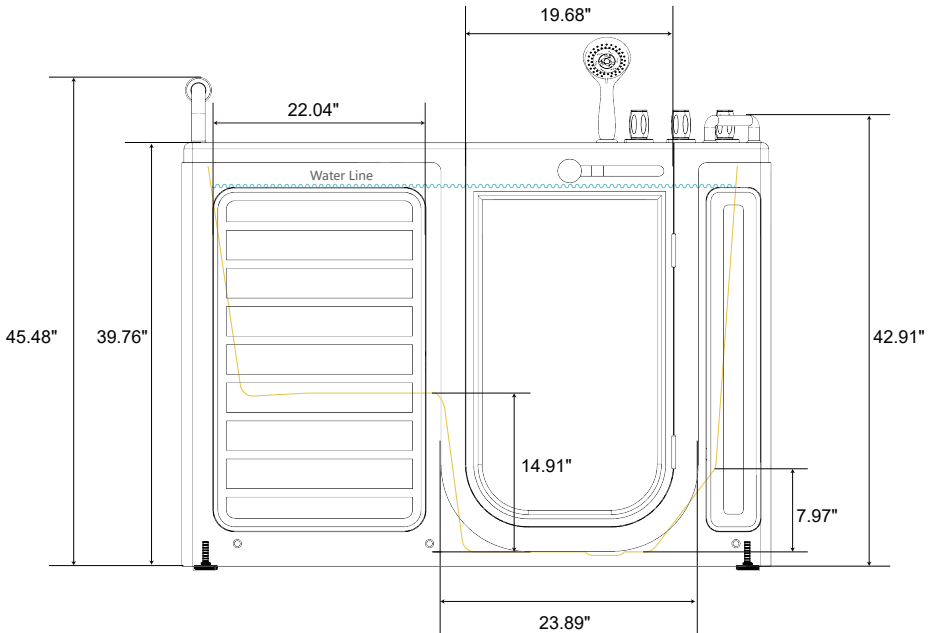
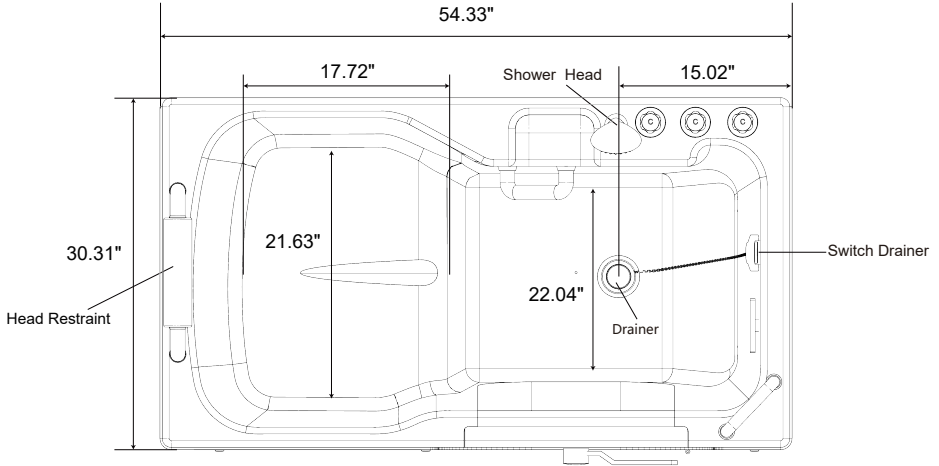
	Impact drill		Spirit level
	Adjustable wrench		Tape rule
	19mm Sleeve		Phillips screwdriver
	5mm hexagonal key		Glass Glue & Rob
	10*100mm expansion bolts		Art knife
	Waste bunker		A hand saw
	Expansion tube		Stainless steel screws

Size chart

PRODUCT

size

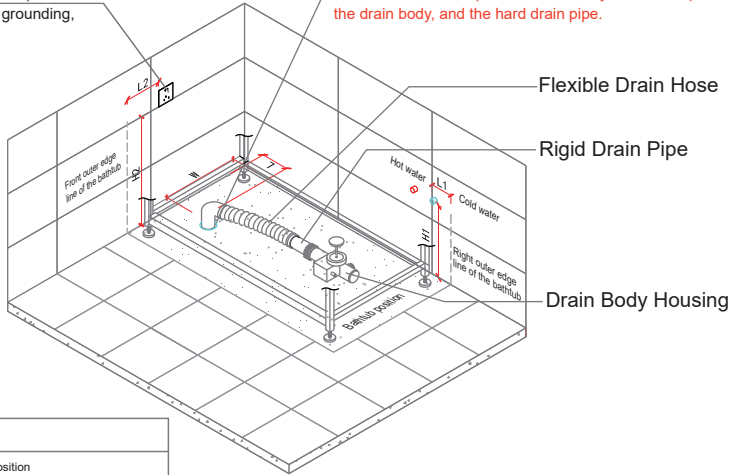
54.33"x30.31"x39.76"



Bathtub Plumbing Locator Diagram

Five-hole socket (with a separate circuit for grounding, 10A current)

Reserved Bathtub Drain Outlet $\varnothing 50\text{-}\varnothing 100$
 Be sure to avoid the positions of the adjustable foot pads, the drain body, and the hard drain pipe.

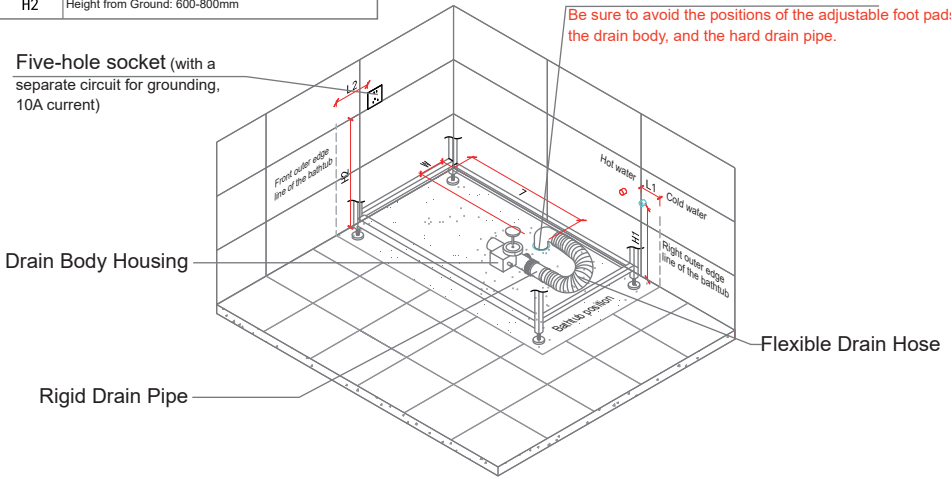


Legend in the Diagram	Range of Values
L	Bathtub Adjustment Foot Position
W	Bathtub Adjustment Foot Position
L1	Within the Range of 200-500mm from the Bathtub Surface
H1	Space Below the Bathtub Surface
L2	Within the Range of 200-500mm from the Bathtub Surface
H2	Height from Ground: 600-800mm

Bathtub Installation Plumbing and Electrical Schematic 1

Five-hole socket (with a separate circuit for grounding, 10A current)

Reserved Bathtub Drain Outlet $\varnothing 50\text{-}\varnothing 100$
 Be sure to avoid the positions of the adjustable foot pads, the drain body, and the hard drain pipe.



Bathtub Installation Plumbing and Electrical Schematic 2

Installation procedures

► **Installation Step 1:**

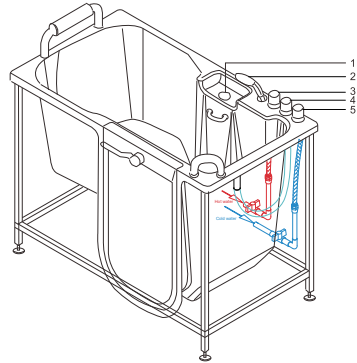
Connecting Bathtub Water Supply and Drainage Pipes (Faucet Assembly)

■ The bathtub's water supply pipes consist of cold water inlet and hot water inlet pipes. As shown in the diagram, connect the cold water pipe and the hot water pipe to the corresponding fittings reserved at the blade corners.

● Manual

1. Hydraulic Flow Regulator
2. Handheld Showerhead (with Detachable Hose)
3. Hot Water Inlet Valve
4. Showerhead/Waterfall Control Valve

As shown in the diagram right →

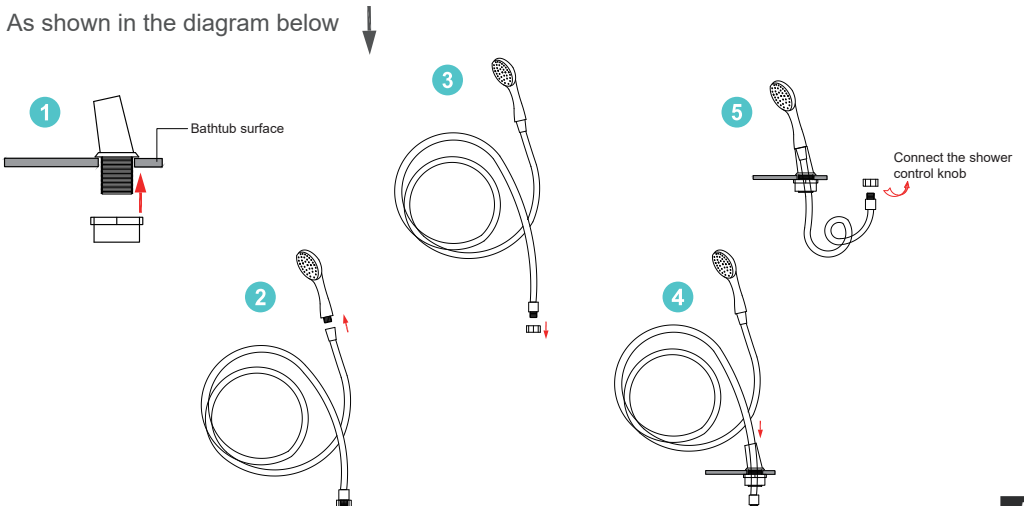


► **Installation Step 2:**

Installation of the Showerhead

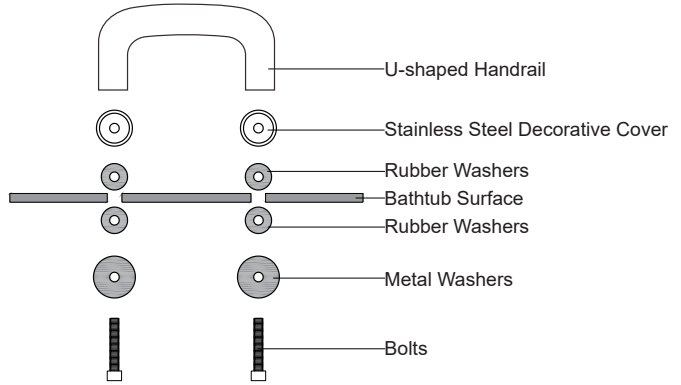
- 1 Start by installing the showerhead base.
- 2 Install the showerhead.
- 3 Unscrew the hexagonal nut at the other end of the shower hose.
- 4 Thread the shower hose through the showerhead base.
- 5 Reattach the hexagonal nut, then connect it to the shower control knob.

As shown in the diagram below ↓



► **Installation Step 3:**

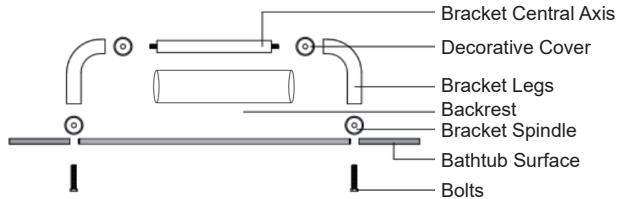
Installation of the U-shaped Handrail



- Accessories List:
Stainless Steel Decorative Cover × (2)
Bolts × (2)
Rubber Washers × (2)
Metal Washers × (2)

► **Installation Step 4:**

Installation of the Backrest

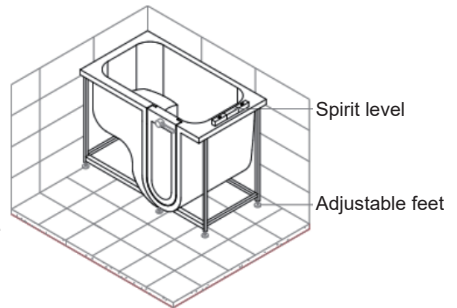


- Accessories List:
Decorative Cover × (2) Bolts × (2)

► **Installation Step 5:**

Leveling the Bathtub

1. Use a wrench to loosen the nut on the upper part of the footpad.
2. Twist the adjustable feet at the four corners of the bathtub until the level of the cylinder surface.
3. Tighten the adjusted nut with a wrench.



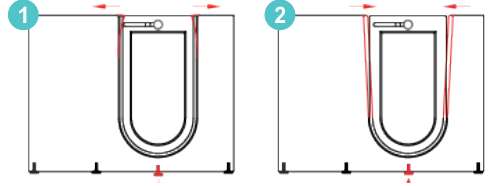
■ Note:

If the bathtub is not leveled, the cylinder may be twisted and deformed, resulting in water leakage. After adjusting the level of the bathtub, check whether the upper doorway is too narrow or too wide, and if so, adjust it according to step 6

► **Installation Step 6:**

Adjust the size of the door gap

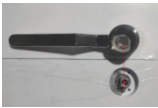
- 1、 When the doorway is small up and big down, adjust the adjusting foot under the door downward.
- 2、 When the doorway is large and small, adjust the adjustable feet under the door upward.



► **Installation Step 7:**

Door Handle Installation

The door handle must be installed correctly in its position in order to avoid damage to the internal mechanisms of the door.



- 1: Align the positioning point of the handle with the slot of the door handle hole and insert it



- 3: The M12 threaded rod is inside the central threaded hole



- 5: Tighten the exterior decorative cover



- 2: Press down with your hand completely; it should not be suspended.

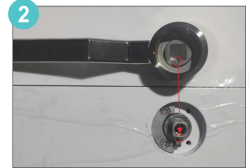
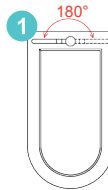


- 4: Use a socket wrench to tighten



- 6: Installation completed

- 1、 Diagram illustrating the range of handle rotation
- 2、 Enlarge the diagram showing the installation positioning point of the handle

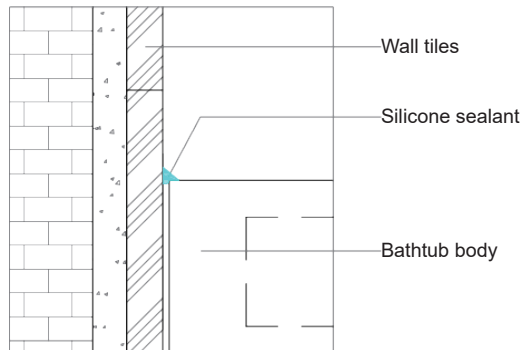


► **Installation completed**

To ensure the stability and prolong the lifespan of the bathtub, apply silicone sealant at the points where the bathtub walls make contact. This helps keep the bottom of the bathtub dry, thus extending its lifespan (as shown in the diagram below).

■ **Note:**

After installation is complete, please conduct an electricity and water test to ensure that all systems are functioning properly.



Care and Maintenance

Walk-in bathtubs require regular maintenance to keep them clean and in top working condition. After using the old man's tank, wash it with water and dry it with a clean rag.

Troubleshooting Guide

SYMPTOMS	PROBLEMS	SOLUTIONS
Door leaks slightly	1. Door lock is not closed tightly; 2. There is some debris on the door seal.	1. Close the door lock tightly; 2. Clean the debris on door seal.
Water hose leaks	1. Rubber ring is not good; 2. Screw nut is not tightened, the connection is not good.	1. Change a new rubber ring; 2. Tighten screw nut and make sure its connection is good.



WARNING!
CALIFORNIA RESIDENTS
Cancer and Reproductive Harm



AVERTISSEMENT!
RÉSIDENTS DE CALIFORNIE
Cancer et Dommages à la Reproduction



¡ADVERTENCIA!
RESIDENTES DE CALIFORNIA
Cáncer y Daño Reproductivo

www.P65Warnings.ca.gov

EMPAVA APPLIANCES INC.
15253 DON JULIAN RD CITY OF INDUSTRY, CA 91745
TEL: 888-682-8882
WWW.EMPAVA.COM