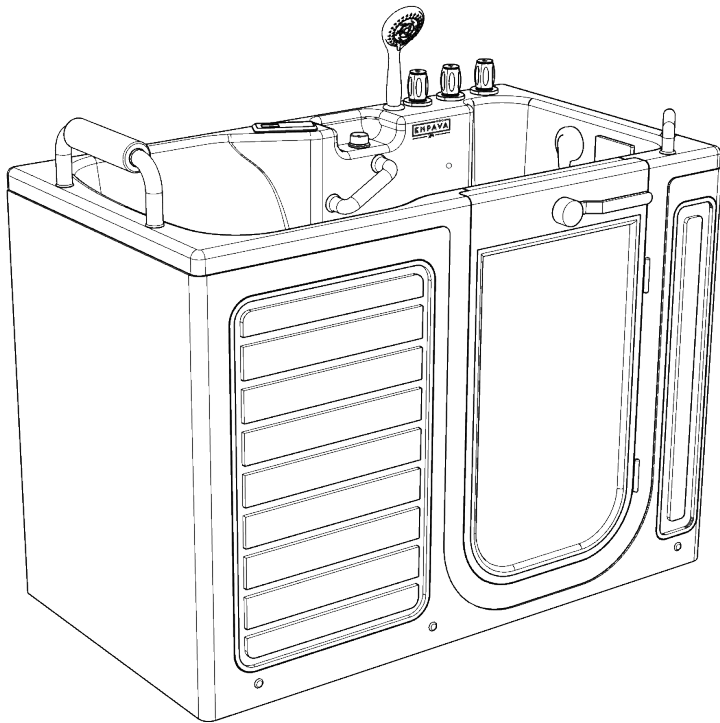




# WALK-IN TUB INSTALLATION INSTRUCTIONS AND OWNER'S MANUAL

EMPV-54WIT08





# TABLE OF CONTENTS

Instruction before installation .....	01
Preparing tools before installation .....	02
Size chart .....	03
Bathtub Plumbing Locator Diagram .....	04
Installation procedures .....	05
Operational use .....	08
Care and Maintenance .....	10
Troubleshooting Guide .....	10

---

## Instruction before installation

### ▲ WARNING :

when using this tub, the following basic precautions should be followed:

- Avoid the risk of electrical shock. Connect only to a circuit protected by a ground-fault circuit-interrupter (GFCI). Grounding is required; All electrical connections should be made by a licensed electrician, in accordance with requirements of national electrical codes and procedures.
- Installer/owner bears all responsibility to comply with all state and local building codes when installing this unit.

### Testing your walk-in tub before installation by following procedures

1. Before unpack the unit, please inspect the carton carefully for any damage. Any damage, please take a picture or record all damage carefully. If necessary, contact your dealer/distributor immediately to file a freight claim.
2. Unpack the carton, then inspect the carton carefully for any damage and check if all the spare parts are there. If there is any damage, please take a picture or record all it carefully. If necessary, contact your dealer/distributor immediately.
3. Water test before installation. Although all our walk-in tubs are water tested before they leave our factory, there may be some loose of the hose connections due to the transport.
  - (1) Place the tub on a flat surface in an area where it may be drained after testing.
  - (2) Check if there is any loose of the connection system.
  - (3) Close the door, fill the tub with water to the overflow and allow standing for a few minutes to inspect the tub for leaks.

### ▶ IMPORTANT :

Failure to follow the pre-installation instruction and water test the bathtub before installation, manufacturer will not be liable for the removal or installation of the bathtub.

## Preparing tools before installation

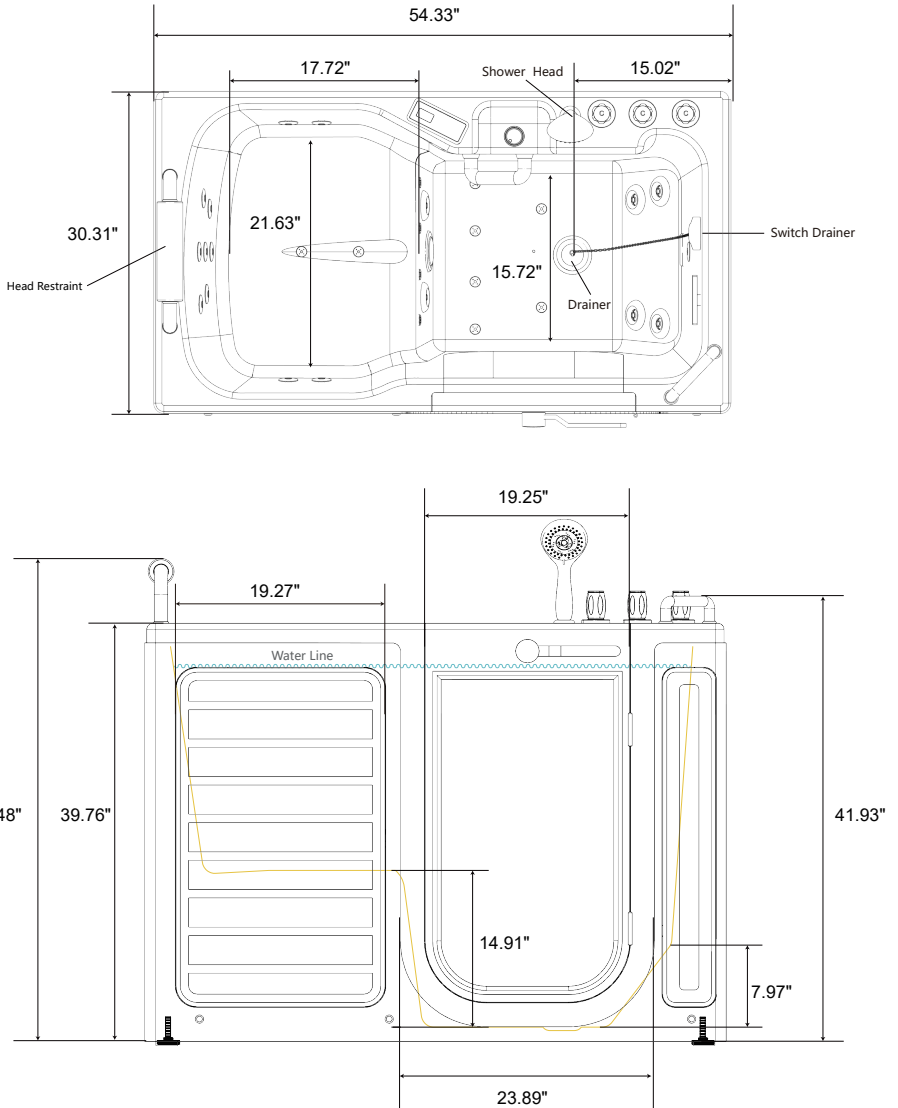
	Impact drill		Spirit level
	Adjustable wrench		Tape rule
	19mm Sleeve		Phillips screwdriver
	5mm hexagonal key		Glass Glue & Rob
	10*100mm expansion bolts		Art knife
	Waste bunker		A hand saw
	Expansion tube		Stainless steel screws

# Size chart

PRODUCT

**size**

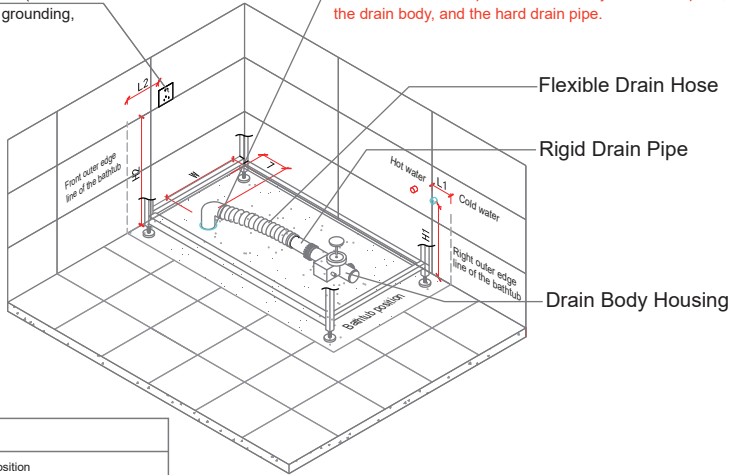
54.33"x30.31"x39.76"



# Bathtub Plumbing Locator Diagram

Five-hole socket (with a separate circuit for grounding, 10A current)

Reserved Bathtub Drain Outlet  $\varnothing 50\text{-}\varnothing 100$   
 Be sure to avoid the positions of the adjustable foot pads, the drain body, and the hard drain pipe.

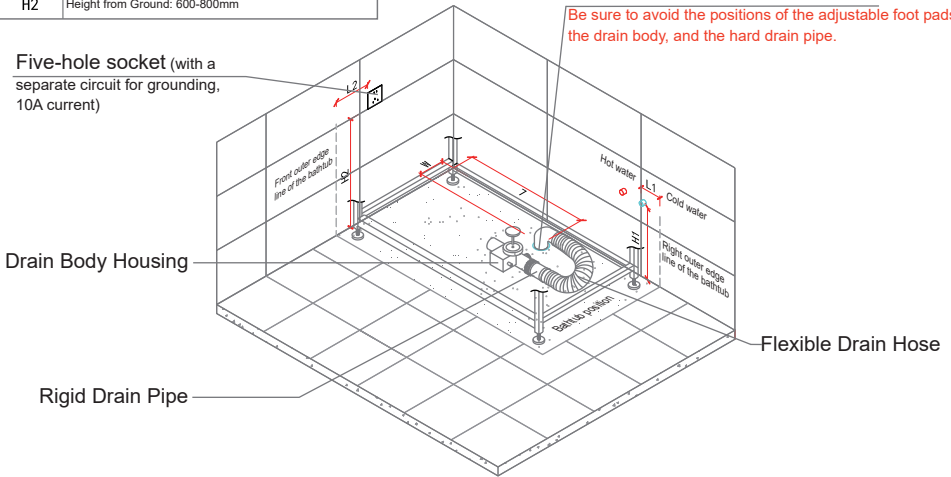


Legend in the Diagram	Range of Values
L	Bathtub Adjustment Foot Position
W	Bathtub Adjustment Foot Position
L1	Within the Range of 200-500mm from the Bathtub Surface
H1	Space Below the Bathtub Surface
L2	Within the Range of 200-500mm from the Bathtub Surface
H2	Height from Ground: 600-800mm

Bathtub Installation Plumbing and Electrical Schematic 1

Five-hole socket (with a separate circuit for grounding, 10A current)

Reserved Bathtub Drain Outlet  $\varnothing 50\text{-}\varnothing 100$   
 Be sure to avoid the positions of the adjustable foot pads, the drain body, and the hard drain pipe.



Bathtub Installation Plumbing and Electrical Schematic 2

# Installation procedures

## ► **Installation Step 1:**

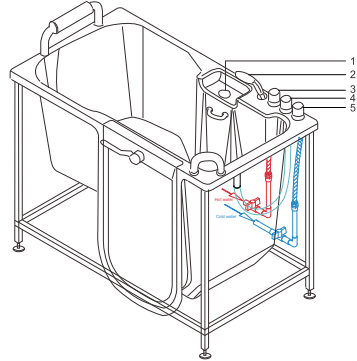
### *Connecting Bathtub Water Supply and Drainage Pipes (Faucet Assembly)*

■ The bathtub's water supply pipes consist of cold water inlet and hot water inlet pipes. As shown in the diagram, connect the cold water pipe and the hot water pipe to the corresponding fittings reserved at the blade corners.

#### ● Manual

1. Hydraulic Flow Regulator
2. Handheld Showerhead (with Detachable Hose)
3. Hot Water Inlet Valve
4. Showerhead/Waterfall Control Valve

As shown in the diagram right →

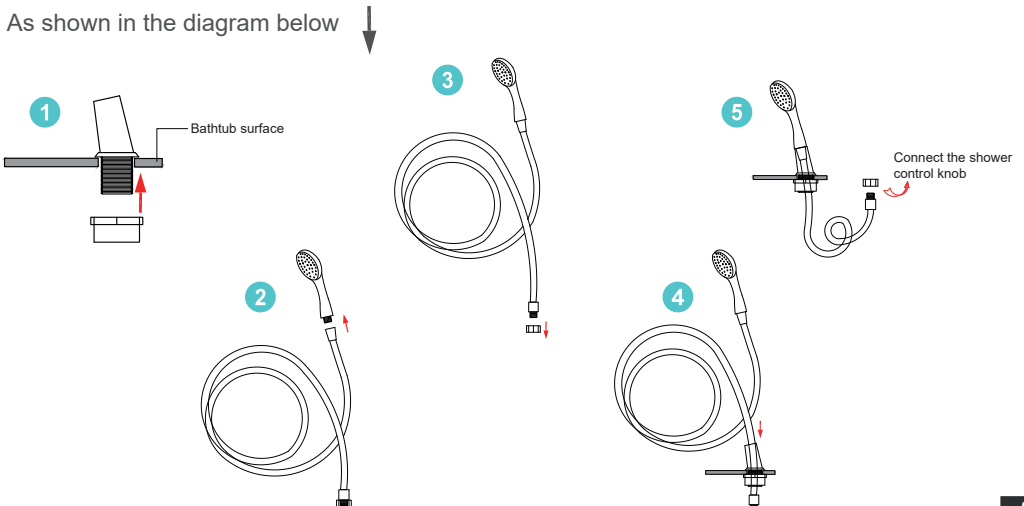


## ► **Installation Step 2:**

### *Installation of the Showerhead*

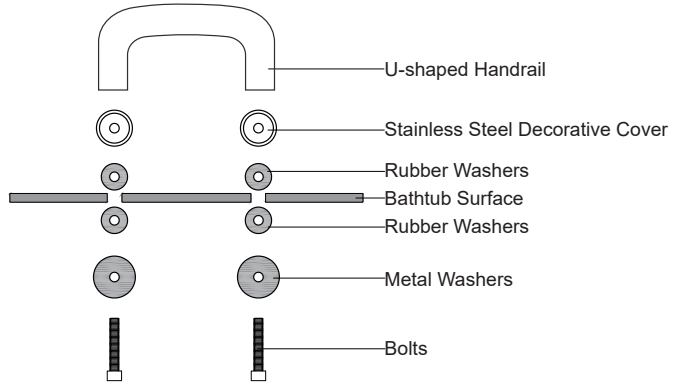
- 1 Start by installing the showerhead base.
- 2 Install the showerhead.
- 3 Unscrew the hexagonal nut at the other end of the shower hose.
- 4 Thread the shower hose through the showerhead base.
- 5 Reattach the hexagonal nut, then connect it to the shower control knob.

As shown in the diagram below ↓



### ► **Installation Step 3:**

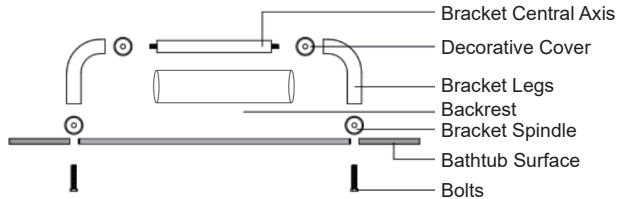
#### *Installation of the U-shaped Handrail*



- **Accessories List:**  
Stainless Steel Decorative Cover × (2)  
Bolts × (2)  
Rubber Washers × (2)  
Metal Washers × (2)

### ► **Installation Step 4:**

#### *Installation of the Backrest*

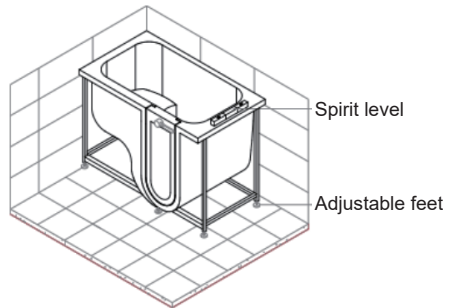


- **Accessories List:**  
Decorative Cover × (2)    Bolts × (2)

### ► **Installation Step 5:**

#### *Leveling the Bathtub*

1. Use a wrench to loosen the nut on the upper part of the footpad.
2. Twist the adjustable feet at the four corners of the bathtub until the level of the cylinder surface.
3. Tighten the adjusted nut with a wrench.



■ **Note:**

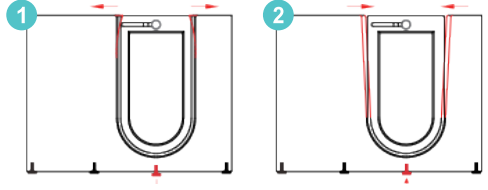
If the bathtub is not leveled, the cylinder may be twisted and deformed, resulting in water leakage. After adjusting the level of the bathtub, check whether the upper doorway is too narrow or too wide, and if so, adjust it according to step 6



## ► Installation Step 6:

### *Adjust the size of the door gap*

- 1、 When the doorway is small up and big down, adjust the adjusting foot under the door downward.
- 2、 When the doorway is large and small, adjust the adjustable feet under the door upward.



## ► Installation Step 7:

### *Door Handle Installation*

The door handle must be installed correctly in its position in order to avoid damage to the internal mechanisms of the door.



- 1: Align the positioning point of the handle with the slot of the door handle hole and insert it



- 3: The M12 threaded rod is inside the central threaded hole



- 5: Tighten the exterior decorative cover



- 2: Press down with your hand completely; it should not be suspended.



- 4: Use a socket wrench to tighten



- 6: Installation completed

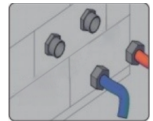
- 1、 Diagram illustrating the range of handle rotation
- 2、 Enlarge the diagram showing the installation positioning point of the handle



## ► Installation step 8:

### *How to connect water ?*

For ease of use, our bathtub is equipped with stainless steel cold and hot water hoses (connector 3/4"). Please connect the cold and hot water hoses to the bathroom's cold and hot water hoses accordingly



#### **Notice**

The red hose stands for hot water hose; the blue hose stands for cold water hose; Drain-pipe should be installed with slope above 1:50; Do not hold the drain-pipe and cold/hot water hoses when moving the bathtub, and do not crash it with hard objects.

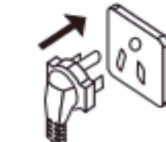
### *How to connect the electricity ?*

Users need to prepare the power supply for 110-120V plugs, install the proper dedicated plug with a ground electrode to the power line, Then insert the plug firmly.



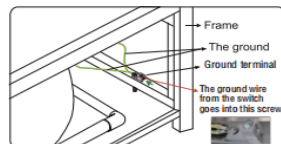
#### **Notice**

The product should be installed alongside ground and electric leakage switches by a licensed electrician.



From electrical source 110-120W

Make sure the ground is connected. One side of the ground should be connected to the ground terminal of the motor and the stainless steel frame; the other side should be connected to the ground wires of the plug



#### **Notice**

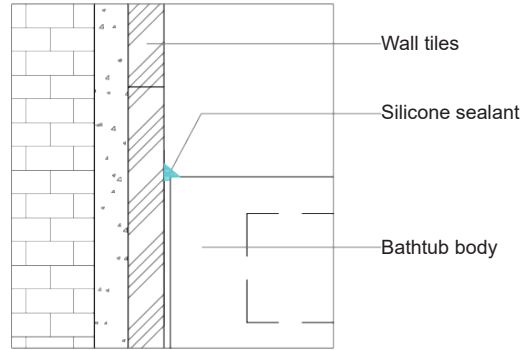
The bathtub must be connected to the ground. The power outlet must be sealed well. Make sure the surface of each wire is in tact.

## ► Installation completed

To ensure the stability and prolong the lifespan of the bathtub, apply silicone sealant at the points where the bathtub walls make contact. This helps keep the bottom of the bathtub dry, thus extending its lifespan (as shown in the diagram below).

### ■ Note:

After installation is complete, please conduct an electricity and water test to ensure that all systems are functioning properly.



## Operational use

### ► Overview of the Main System Panel

Figure 1: Panel Structure Diagram



	Total On/Key		Wind Pump On/Key
	Water Pump On/Key		Temperature Setting Key

### ► Function Brief

- 1、 Total On/Off Function Mode: Power On Mode and Standby Mod
- 2、 Maximum 3KW Constant Temperature Heating Function, Water Temperature Display and Setting Function
- 3、 1 Water Pump
- 4、 1 Wind Pump
- 5、 The DIP switch can select different functions.
- 6、 Error Code Indication

### ► Operation of Common Functions

#### • (1) Main Board Description and DIP Jumper Settings (see Figure 6)

A1: OFF: Display Fahrenheit Temperature

ON: Display Celsius Temperature

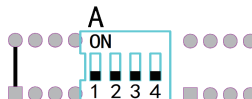
A2: OFF: With Water Level Sensor

ON: Without Water Level Sensor

A3: OFF: Water Flow Sensor, Heater Does Not Operate When No Water Flow is Detected

ON: Without Water Flow Sensor

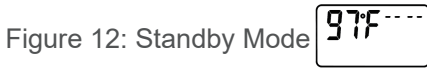
A4: Figure 6: Switchbank A/B



■ **Attention:**

- 1、 All jumper settings are only effective when power is cycled. The power-off interval should be greater than 60 seconds.
- 2、 All jumpers have been set at the factory. It is recommended that users do not change the product settings.

- **(2) When first powered on, the display shows “- - -”, indicating that the system is in standby mode (see Figure 12)**




- **(3) Operation for Powering On/Off**

In standby mode (see Figure 12), press the  key, The "----" disappears, and all loads are in the off state.


In power on mode (see Figure 13), press the  key, "----" appears, and all high-voltage loads are turned off.


- **(4) Function Operations in Power On Mode**

Operation of the Surf Water Pump





The  key controls the on/off state of the surf water pump. The surf water pump will automatically turn off after 1 hour.

Note: The surf water pump will not start if the water level sensor detects no water.

Operation of the  Key.

The  key controls the on/off state of the wind pump. The wind pump will automatically turn off after 15 minutes.

Temperature Control (77-104°F/25-40°C)

Press the  key for the first time to enter the temperature setting mode. The set temperature will flash on the screen. Before the temperature stops flashing, each press of the  key increases the set temperature by 1°C. Holding down the  key continuously increases the set temperature until it reaches the maximum setting of 40°C (104°F). Pressing the  key once more resets the set temperature to the minimum setting of 25°C (77°F).

### Heating Function Description

When the temperature is in Celsius, the temperature control range is -1°C. This means that when the set temperature  $T_{setT\_set}$  is 30°C, the heater will turn off when the water temperature reaches 30°C. The heater will restart when the water temperature drops to 29°C or below.

When the temperature is in Fahrenheit, the temperature control range is -2°F. This means that when the set temperature  $T_{setT\_set}$  is 90°F, the heater will turn off when the water temperature reaches 90°F. The heater will restart when the water temperature drops to 88°F or below.

■ **Note:**

The heating function automatically starts when the water pump is turned on; the heating function automatically stops when the water pump is turned off.

## ► Warnings and Error Indications

- 1.For equipment used in multi-family residences, a clearly labeled emergency switch must be provided during installation. The user should have unobstructed access to this switch, and it must be installed at least 1.52 meters away, near the equipment and within the user's line of sight.
- 2.If any wiring is damaged, it must be replaced immediately.
- 3.Power must be turned off before repairing or replacing any wiring connected to the equipment.
- 4.To prevent the risk of electric shock and/or water damage to the controller, all unused wire lead outlets must be sealed with plugs.
- 5.This controller must not be installed near highly flammable substances.
- 6.Do not enter the water when any error indications are present!

## Care and Maintenance

Walk-in bathtubs require regular maintenance to keep them clean and in top working condition. After using the old man's tank, wash it with water and dry it with a clean rag.

## Troubleshooting Guide

SYMPTOMS	PROBLEMS	SOLUTIONS
Door leaks slightly	1.Door lock is not closed tightly; 2.There is some debris on the door seal.	1.Close the door lock tightly; 2.Clean the debris on door seal.
Water hose leaks	1.Rubber ring is not good; 2.Screw nut is not tightened, the connection is not good.	1.Change a new rubber ring; 2.Tighten screw nut and make sure its connection is good.



**WARNING!**  
CALIFORNIA RESIDENTS  
Cancer and Reproductive Harm



**AVERTISSEMENT!**  
RÉSIDENTS DE CALIFORNIE  
Cancer et Dommages à la Reproduction



**¡ADVERTENCIA!**  
RESIDENTES DE CALIFORNIA  
Cáncer y Daño Reproductivo

[www.P65Warnings.ca.gov](http://www.P65Warnings.ca.gov)

EMPAVA APPLIANCES INC.

15253 DON JULIAN RD CITY OF INDUSTRY,CA 91745

TEL:888-682-8882

WWW.EMPAVA.COM