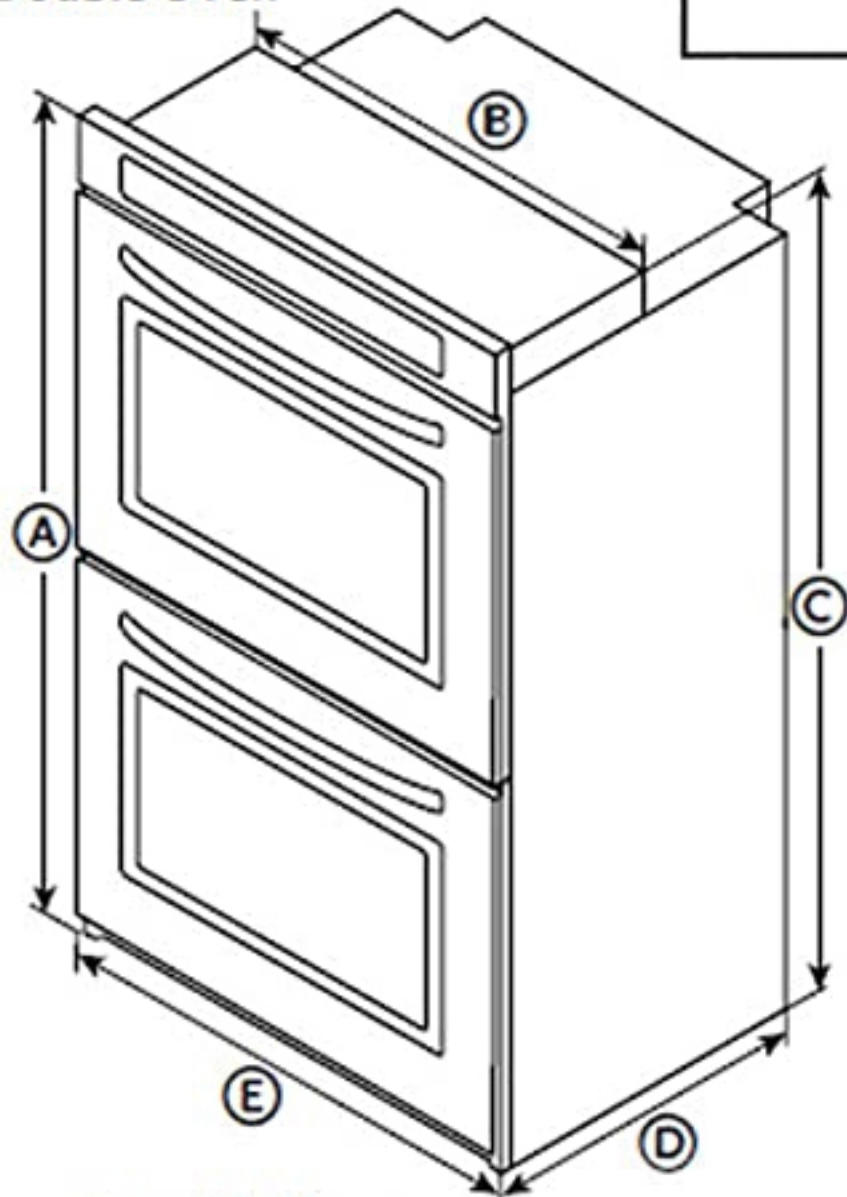


PRODUCT DIMENSIONS

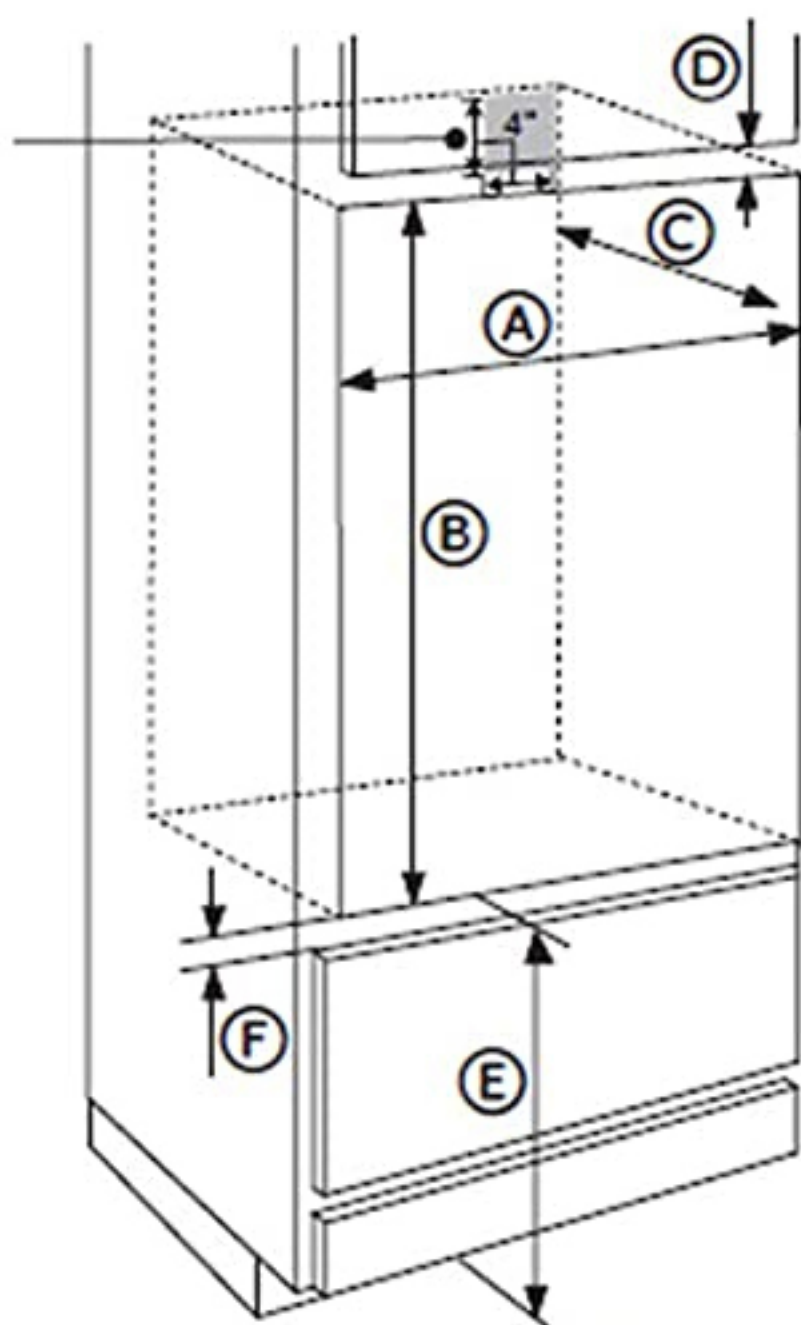
Style	Voltage and Frequency	Amps	Circuit Required
Double Oven	240V, 60Hz	35.4A	40 Amp Circuit
	208V, 60Hz	30.7A	35 Amp Circuit

Double Oven



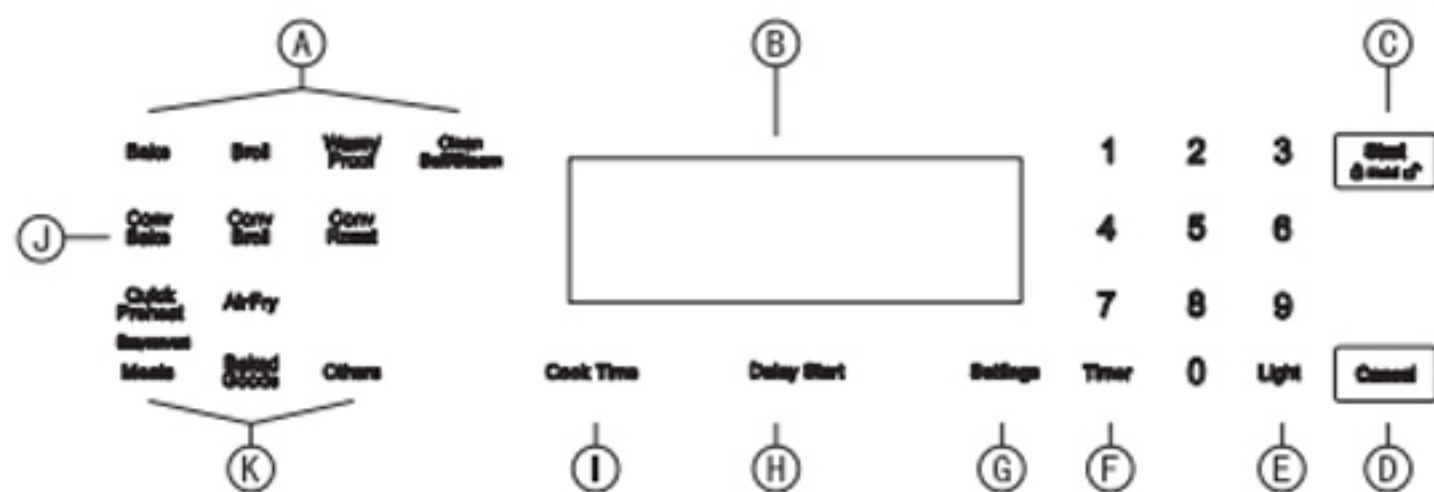
Letter	Double Oven Dimensions
(A)	51 ³ / ₁₆ " (130.0 cm) Height (overall)
(B)	28 ¹ / ₂ " (72.4 cm) Width (recessed)
(C)	49 ¹⁵ / ₁₆ " (126.8 cm) Height (recessed)
(D)	23 ¹ / ₂ " (59.7 cm) Depth (recessed)
(E)	29 ⁷ / ₈ " (75.9 cm) Width (overall)

Double Oven -
Installed in Cabinet



	Double Oven in Cabinet
(A)	28 ⁵ / ₈ " (72.7 cm)
(B)	50 ¹ / ₄ " (127.6 cm)
(C)	24" (61.0 cm)
(D)	1 ¹ / ₂ " (3.8 cm)
(E)	14 ³ / ₄ " (37.5 cm)*
(F)	1 ¹ / ₂ " (3.8 cm)
(G)	1 ¹ / ₁₆ " (1.7 cm)

* Bottom of Cutout to Floor (acceptable) 4" to 14³/₄" (10.2 cm to 37.5 cm)



- (A) Oven Modes
- (B) Display
- (C) Start/Control Lock(hold 3seconds)
- (D) Cancel
- (E) Light

- (G) Setting
- (H) Delay Start
- (I) Cook Time
- (J) Convection Modes
- (K) Convection Conversion