



Inverter Smart Range Hood

Wall Mount / Under-Cabinet Convertible

Optional Plasma Active Filter (Part # ACC-TG01) sold separately.

EMPV-30RH18



NOTICE:

For residential use only.

Installer:

Leave this guide with the homeowner.

Homeowner:

Keep this guide for future reference.



TABLE OF CONTENTS

Important Safety Notice.....	3
Electrical Requirements.....	5
Venting Requirements.....	6
Calculating Duct System Length.....	7
Specifications.....	7
Required Tools.....	8
Parts Supplied.....	9
Dimensions.....	10
Preparation.....	12
Installation Options.....	13
Option 1: Free Standing.....	14
Option 2: Under Cabinet.....	19
Grease Tunnel and Filters.....	22
Venting Methods.....	23
Wiring Diagram.....	25
Range Hood Operations	26
Troubleshooting.....	30
Do's and Don'ts for Duct Venting.....	31
Bulb Replacement.....	31
Maintenance.....	32

IMPORTANT SAFETY NOTICE

Read all instructions before installing and operating this appliance

- The installation in this manual is intended for qualified installers, service technicians or persons with similar qualified background. Installation and electrical wiring must be done by qualified professionals and in accordance with all applicable codes and standards, including fire-rated construction.
- **DO NOT** attempt to install this appliance yourself. Injury could result from installing the unit due to lack of appropriate electrical and technical background.
- Range hood may have very sharp edges; please wear protective gloves if it is necessary to remove any parts for installing, cleaning or servicing.
- Activating any switch ON before completing installation may cause ignition or an explosion.
- Due to the size and weight of this range hood, two-person installation is recommended.

To reduce the risk of fire, electric shock, or injury to persons:

- For general ventilating use only. **DO NOT** use to exhaust hazardous or explosive materials and vapors.
- The combustion air flow needed for safe operation of fuel-burning equipment may be affected by this unit's operation. Follow the heating equipment manufacturer's guideline and safety standards such as those published by the National Fire Protection Association (NFPA), and the American Society of Heating, Refrigeration and Air Conditioning Engineers (ASHRAE), and the local code authorities.
- Before servicing or cleaning unit, switch power OFF at service panel and lock service panel to prevent power from being switched ON accidentally.
- Clean grease laden surfaces frequently. To reduce the risk of fire and to disperse air properly, make sure to vent air outside. **DO NOT** vent exhaust into spaces between walls, crawl spaces, ceiling, attics and/or garages.
- Ducted fans **MUST** always be vented to the outdoors.
- Use only metal ductwork and this unit **MUST** be grounded.
- Sufficient air is needed for proper combustion and exhausting of gases through the duct to prevent back drafting.
- When cutting or drilling into wall or ceiling, be careful not to damage electrical wiring or other hidden utilities.
- All electrical wiring must be properly installed, insulated and grounded.
- Old duct work should be cleaned or replaced if necessary to avoid the possibility of a grease fire.
- Check all joints on duct work to insure proper connection and all joints should be properly taped.
- Use this unit only in the manner intended by the manufacturer. If you have questions, contact the vendor.

To reduce the risk of a stove top grease fire:

- Keep all fans, spacers, filters, grease tunnels, oil containers and grease-laden surfaces clean. Grease should not be allowed to accumulate on fan, baffle, spaces, filter, grease tunnel and oil container.
- Always turn range hood ON when cooking at high heat or when cooking foods that produce flames.
- Use high settings on cooking range only when necessary.
- Never leave surface units unattended at high settings. Boil overs cause smoking and greasy spillovers that may ignite. Heat oils slowly on low or medium settings.

IMPORTANT SAFETY NOTICE

Read all instructions before installing and operating this appliance

- Clean ductilating fan frequently.
- Always use appropriate cookware and utensils size.
- Always use cookware appropriate for the size of the surface element.

To reduce the risk of injury to persons in the educt of a stove top grease fire:

- Smother flames with a close-fitting lid, cookie sheet, or metal tray, then turn OFF the burner. Be careful to PREDuct BURNS. Never pick up a pan that has flames—you may be burned. Keep flammable and/or combustible material away from flames. If the flames DO NOT go out immediately, EVACUATE and CALL the FIRE DEPARTMENT or dial your local emergency service immediately.
- DO NOT use WATER, including wet dishcloths or towels — it will result in a violent steam explosion
- Use an extinguisher ONLY if:
 - You know you have a Class A, B, C extinguisher, and you already know how to operate it.
 - The fire is small and contained in the area where it has started.
 - The fire department is on the way.
 - You can fight the fire while having access to a safe exit.

To reduce the risk of injury to persons in the educt of a gas leaks:

- Extinguish any open flame.
- DO NOT turn on the range hood fan or any type of ductilator.
- DO NOT turn on the lights or any type of appliance.
- Open all doors and windows to disperse the gas. If you still smell gas, call the gas company and fire department or dial your local emergency service immediately.

Your safety and the safety of others is very important. We have provided many important safety messages in this manual and on your appliance. Always read and obey all safety messages. All safety messages will tell you what the potential hazard is, tell you how to reduce the chance of injury, and tell you what can happen if the instructions are not followed.



WARNING



This is the safety alert symbol. This symbol alerts you to potential hazards that can hurt you and others. All safety messages will follow the safety alert symbol and the word “WARNING”.

The manufacturer and/or distributor/reseller declines all responsibility in the educt of failure to observe the instructions given here for installation, maintenance and suitable use of the product.

The manufacturer and/or distributor/reseller further declines all responsibility for injury due to negligence and the warranty of the unit automatically expires due to improper maintenance.

The manufacturer and/or distributor/reseller will not be held responsible for any damages to personal property or real estate or any bodily injuries whether caused directly or indirectly by the range hood.

ELECTRICAL REQUIREMENTS

IMPORTANT: Observe all governing codes and ordinances.

It is the customer's responsibility:

- To contact a qualified electrician
- To assure that the electrical installation is adequate and in conformance with National Electrical Code, ANSI/NFPA 70 — latest edition*, or CSA Standards C22. 1-94, Canadian Electrical Code, Part 1 and C22. 2 No. 0-M91 - latest edition** and all local codes and ordinances.

If codes permit and a separate ground wire is used, it is recommended that a qualified electrician determine that the ground path is adequate.

A 120-Volt, 60 Hz, AC-only, fused electrical supply is required on a separate 15-amp circuit.

DO NOT ground to a gas pipe.

Check with a qualified electrician if you are not sure that the range hood is properly grounded.

DO NOT have a fuse in the neutral or ground circuit.

IMPORTANT: Save this Installation Guide for electrical inspector's use.

The range hood must be connected with copper wire/plug only.

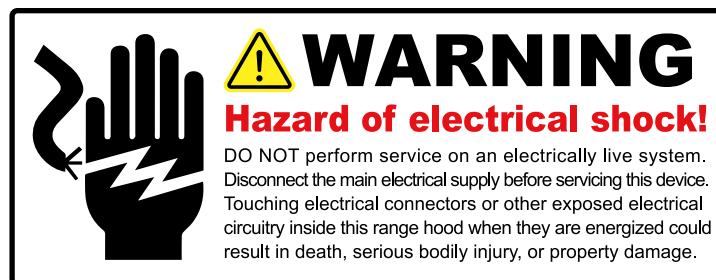
The range hood should be connected directly to the fused disconnect (or circuit breaker) box through flexible armored or non-metallic sheathed copper cable. A U.L. - or C.S.A. - listed strain relief must be provided at each end of the power supply cable.

Wire sizes (copper wire only) and connections must conform with the rating of the appliance as specified on the model/serial rating label. Wire sizes must conform to the requirements of the National Electrical Code ANSI/NFPA 70 — latest edition*, or CSA Standards C22. 1-94, Canadian Electrical Code Part 1 and C22. 2 No. 0-M91 - latest edition** and all local codes and ordinances. A U.L. - or C.S.A. - listed conduit connector must be provided at each end of the power supply cable (at the range hood and at the junction box).

Copies of the standards listed may be obtained from:

* National Fire Protection Association
Batterymarch Park
Quincy, Massachusetts 02269

** CSA International
8501 East Pleasant Valley Road
Cleveland, Ohio 44131-5575



VENTING REQUIREMENTS

- Vent system must terminate to the outside (roof or side wall).
- DO NOT terminate the vent system in an attic or other enclosed area.
- DO NOT use 4" (10.2 cm) laundry-type wall caps.
- Use metal/aluminum vent only. Rigid metal/aluminum vent is recommended.
- DO NOT use plastic vent.
- Always keep the duct clean to ensure proper airflow.
- Calculate the following figures before installation:
 1. *Distance from the floor to the ceiling.*
 2. *Distance between the floor to the countertop/stove (recommend* 24" to 30").*
 3. *Distance between the countertop/stove to the range hood.*
 4. *Height of hood and duct cover.*

For the most efficient & quiet operation:

- A distance of 24" to 30" is recommended between stove top and the bottom of range hood (30" min for 9' ceilings)
- It is recommended that the range hood be vented vertically through the roof through 6" or bigger round metal/aluminum vent work.
- The size of the vent should be uniform.
- Use no more than three 90° elbows.
- Make sure there is a minimum of 24" (61 cm) of straight vent between the elbows if more than one elbow is used.
- DO NOT install two elbows together.
- The length of vent system and number of elbows should be kept to a minimum to provide efficient performance.
- The vent system must have a damper. If roof or wall cap has a damper, DO NOT use damper (if supplied) on top of the range hood.
- Use aluminum tape to seal all joints in the vent system.
- Use caulking to seal exterior wall or roof opening around the cap. **USE 6" ROOF OR WALL VENT CAP MINIMUM.**

IMPORTANT:

- A minimum of a 6" round duct (standard for this range hood) must be used to maintain maximum airflow efficiency.
- Always use rigid type metal/aluminum ducts if available to maximize airflow when connecting to provided duct.
- Please use Duct Run Calculation below to compute total available duct run when using elbows, transitions and caps.
- ALWAYS, when possible, reduce the number of transitions and turns in the duct run. If a long duct run is required, increase the duct size from 6" to 8". If a reducer is used, install a long reducer instead of a pancake reducer. Reducing the duct size will restrict airflow and decrease efficiency.
- If turns or transitions are required: Install as far away from opening and as far apart, between 2, as possible.
- Minimum mount height between stove top to hood bottom should be no less than 24-inch*.
- Maximum mount height between stove top to hood bottom should be no higher than 30-inch*.
- It is important to install the hood at the proper mounting height. Hoods mounted too low could result in heat damage and fire hazard; while hoods mounted too high will be hard to reach and will lose its performance and efficiency.
- If available, also refer to stove top manufacturer's height clearance requirements and recommended hood mounting height above range.

Minimum Duct Size:

- Round - 6" minimum

* Due to different ceiling height configurations, recommended height may not be applicable.

CALCULATING DUCT SYSTEM LENGTH

To calculate the length of the duct system you require, subtract the equivalent feet for each “Duct piece” (Table Below) used in the system from the “Recommended maximum run” (Table Below). The longest duct run that is acceptable (if completely straight) is 50 feet. The number of duct pieces (elbow, transition, etc.) installed in your duct run will determine the maximum length the duct run can be. Please refer to the example below:

Duct Run Calculation:	
Recommended maximum run	
8” round duct	50 ft
Duct piece deduction	
Each 90° elbow used	9 ft
Each 45° elbow used	5 ft
Each round to rectangle transition used	7 ft
Side wall cap with damper	7 ft
Roof cap	7 ft

Duct Run Calculation example:

One roof cap, two 90° elbows, and one 45° elbow used:

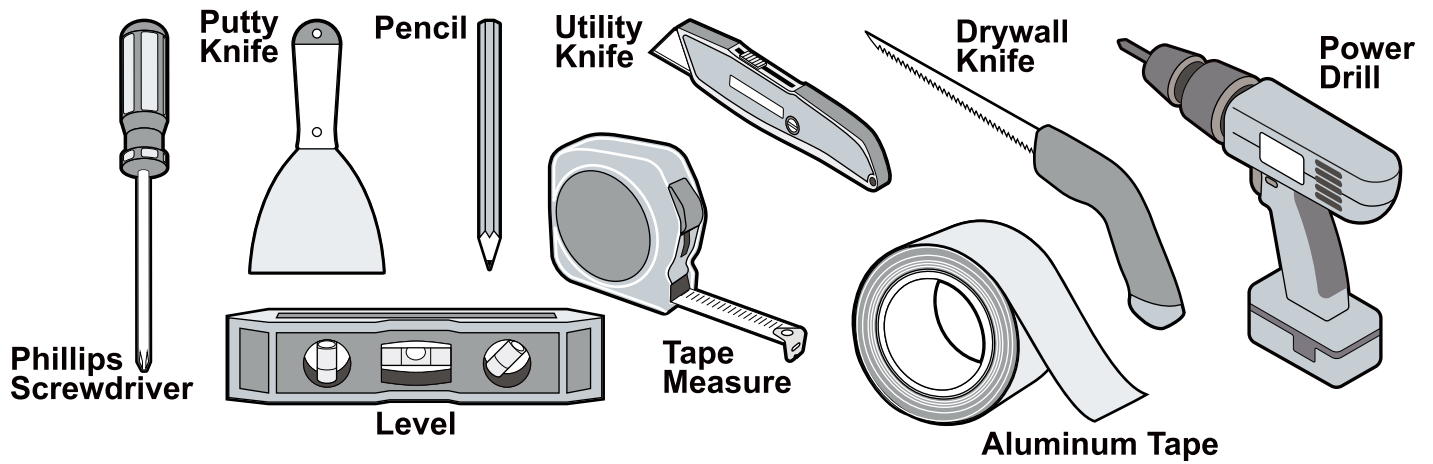
$7\text{ft} + 9\text{ft} + 9\text{ft} + 5\text{ft} = \underline{30\text{ft}}$ used.

The above duct pieces used are equivalent to 30ft of a straight duct run. Subtract 30ft from the allowable 50ft. The remaining distance of 20ft is the longest that the straight ducting (in addition to the vent pieces) can be.

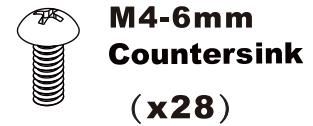
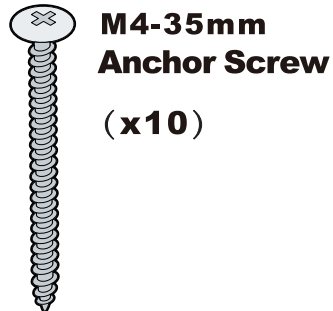
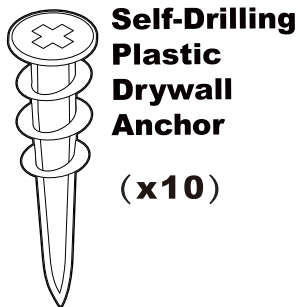
SPECIFICATIONS*

Body	Seamless Stainless Steel, Brushed Finish
Power Rating	120V/60Hz (USA & Canada standard)
Motor Input Power	135W
Motor Revolution	800 RPM (±10%) to 1500 RPM (±10%)
Levels Of Speed Control	16 Levels
Maximum Airflow	900 CFM
Noise Level (Q/L/M/H)	1.5 Sone(46dB) / 3.5 Sone(58dB) / 5.3 Sone(64dB) / 7.5 Sone (69dB)
Motor Type	Single Motor
Control Type	Touch, Voice, Gesture Switches
Filtration Type	Stainless Steel Filters
Illumination	4x3W 12V LED
Venting Size	Top Vent, 6 inch Round

REQUIRED TOOLS



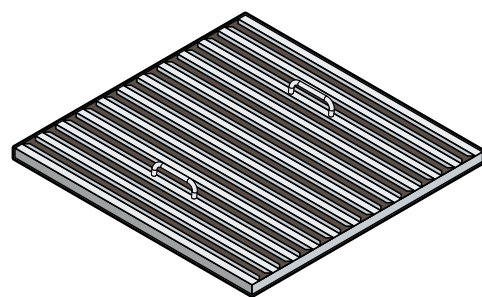
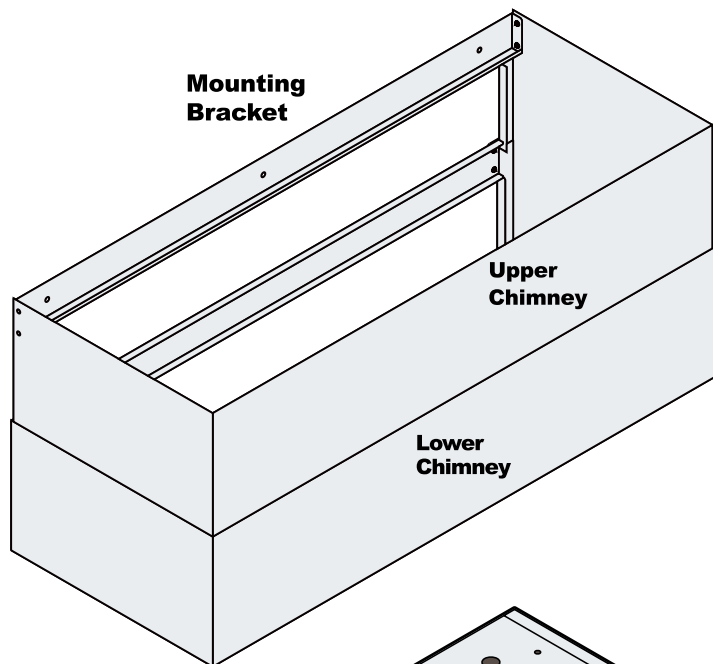
PARTS SUPPLIED



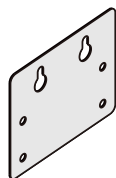
NOTE:

Where necessary, additional screws will be needed for installation and added support, but is not included. Please review contents before installation.

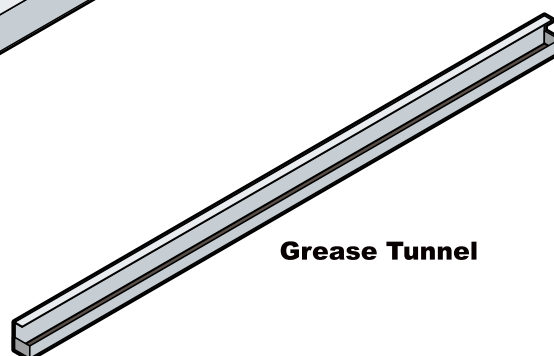
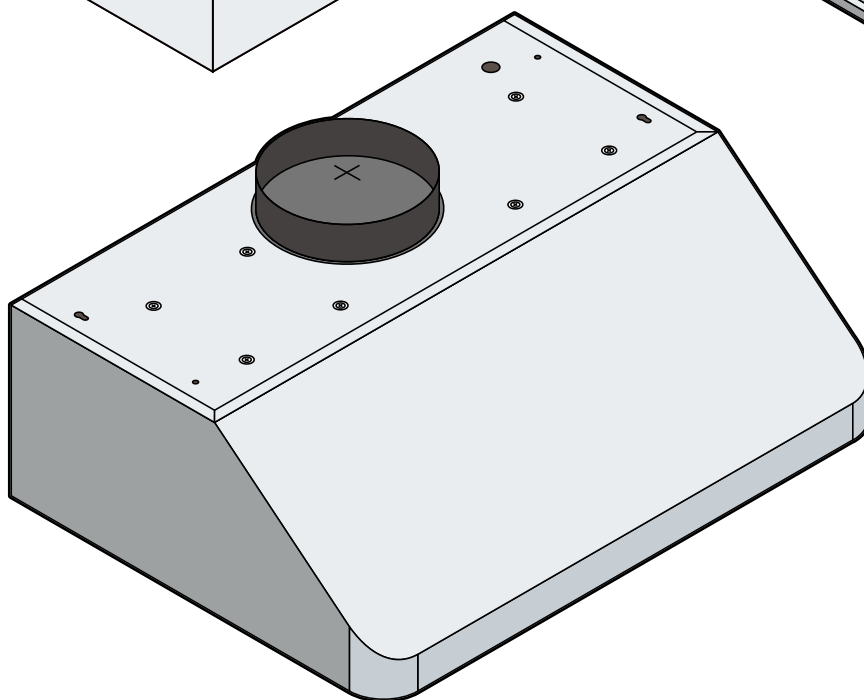
PARTS SUPPLIED



30" Baffle Filters (x2)



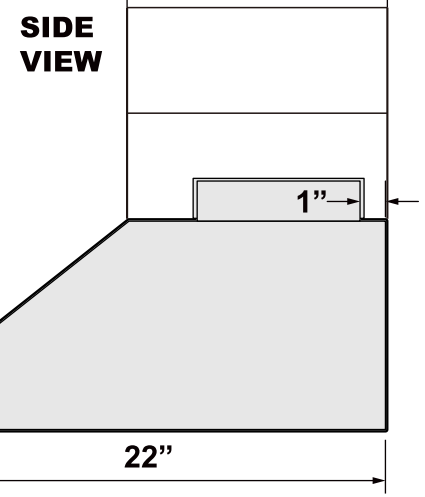
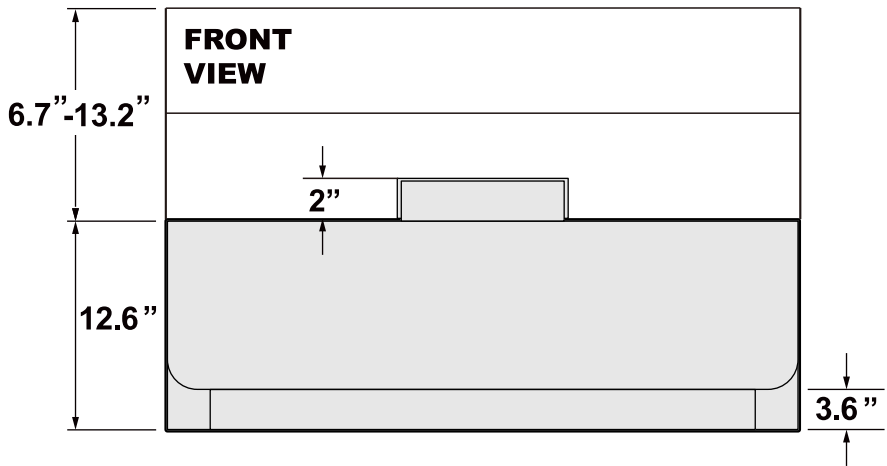
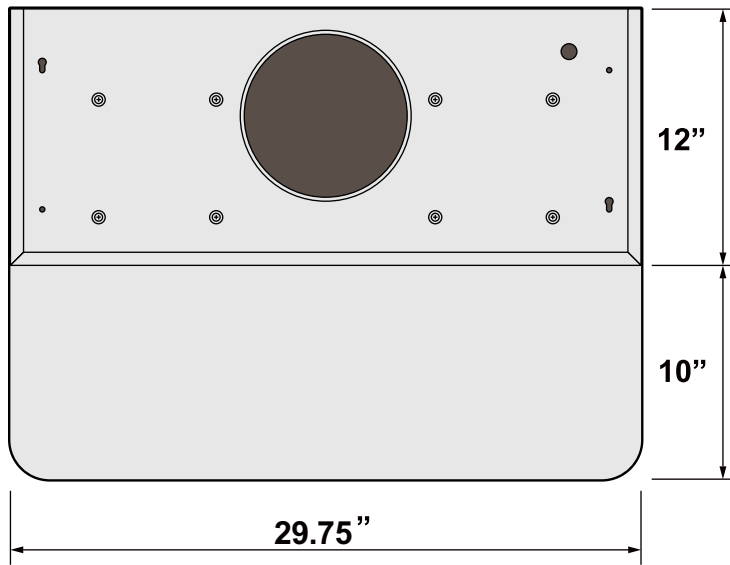
Mounting Bracket x2



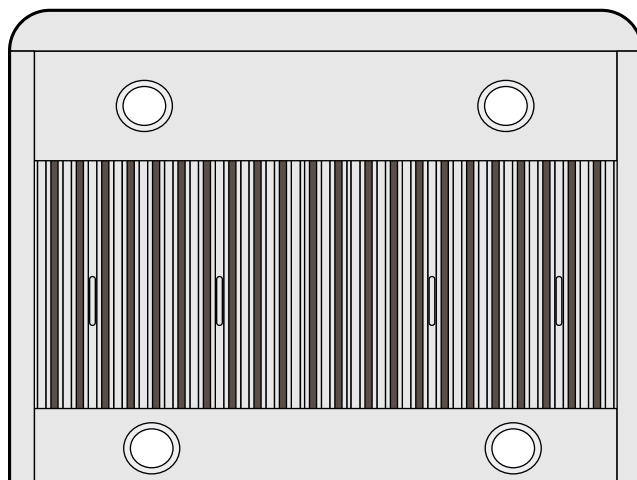
Grease Tunnel

DIMENSIONS

TOP VIEW

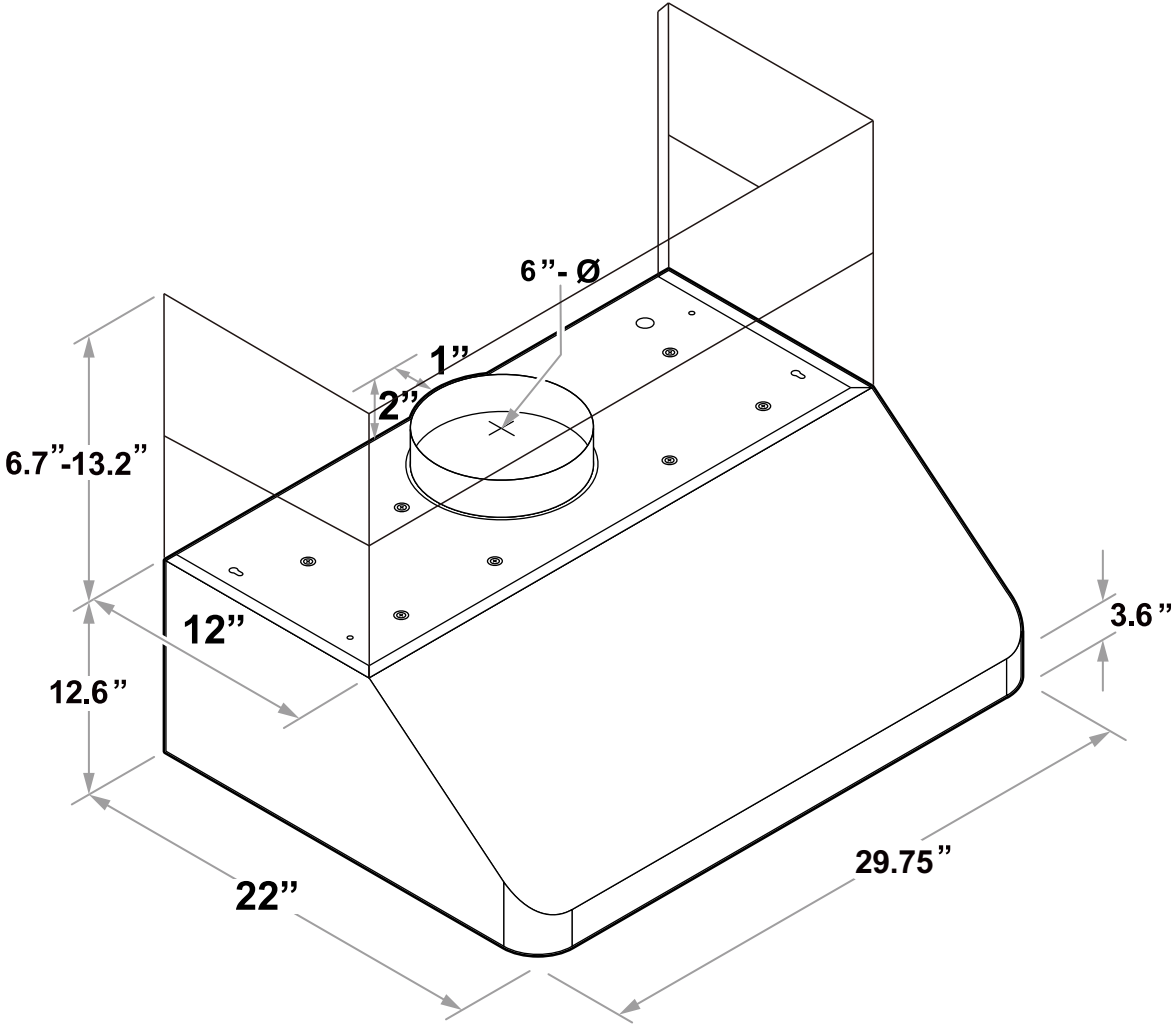


BOTTOM VIEW



DIMENSIONS (Continued)

30"



PREPARATION



WARNING

Severe Injury

Hood may have very sharp edges. Please wear protective gloves if it is necessary to remove any parts for installing, cleaning or servicing.



WARNING

Excessive Weight

Require two or more persons to move and install this range hood. Spinal or other bodily injuries could occur if it is not followed.

**BEFORE INSTALLING THE RANGE HOOD, CHECK FOR PHYSICAL DAMAGES.
THIS RANGE HOODS COMES WITH A WIRE AND PLUG.
TEST THE HOOD BEFORE INSTALLATION.**

If there is a grinding noise coming from the motor, **DO NOT INSTALL IT**, contact us as soon as possible.

Advanced Preparations:

1. Read the entire installation guide and users manual thoroughly, understand instructions and warnings.
2. Be familiar with the controls of the range hood.
3. Place the range hood on a flat, stable surface. Connect the range hood to a designated standard outlet (please refer the product label for the suitable voltage of this unit) and verify no debris has entered the duct openings, then turn on the range hood.
4. Place all supplied parts and required hardware on a flat, stable surface and verify the existence of all supplied parts.
5. Carefully remove the white/blue plastic protective coat from the chimney covers and range hood if any.

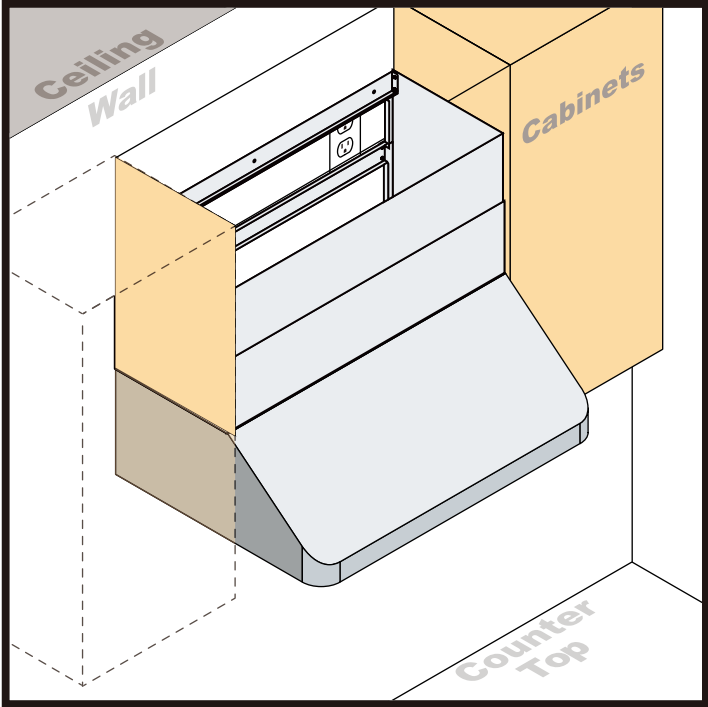
Preparations:

NOTE: To avoid damage to your hood, prevent debris from entering the duct opening.

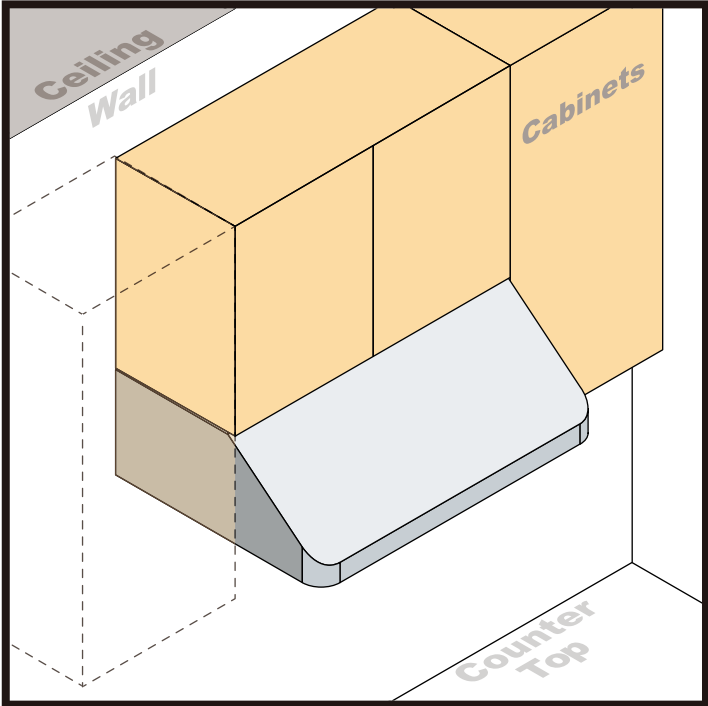
1. Determine and mark the center line on the ceiling where the range hood will be installed. Make sure there is proper clearance within the ceiling or wall for exhaust duct.
2. Due to the weight and size of this unit, please make sure that the support system or framework being used is stable and secure in the ceiling.
3. Put a thick, protective covering over counter top, cook top or range to protect from damage or dirt. Remove any hazardous objects around the area when installing.
4. Mark the locations of the support mounting bracket holes, vent cutout (if used) and power supply cable cutout on the ceiling. Use drill and saber saw or keyhole saw to cut openings for power supply cable and duct.
5. Use caulking to seal exterior wall or roof openings.
6. Disconnect main electrical supply, prepare and run electrical wiring through ceiling. Leave approximately 12" of electrical cord hanging from the ceiling. Do not restore power until wiring is completed.
7. Disconnect power cord, remove the stainless steel baffle filter and grease tunnel.
8. Set aside the stainless steel baffle filters and grease tunnel until the range hood is properly installed.

INSTALLATION OPTIONS

OPTION 1: Free Standing

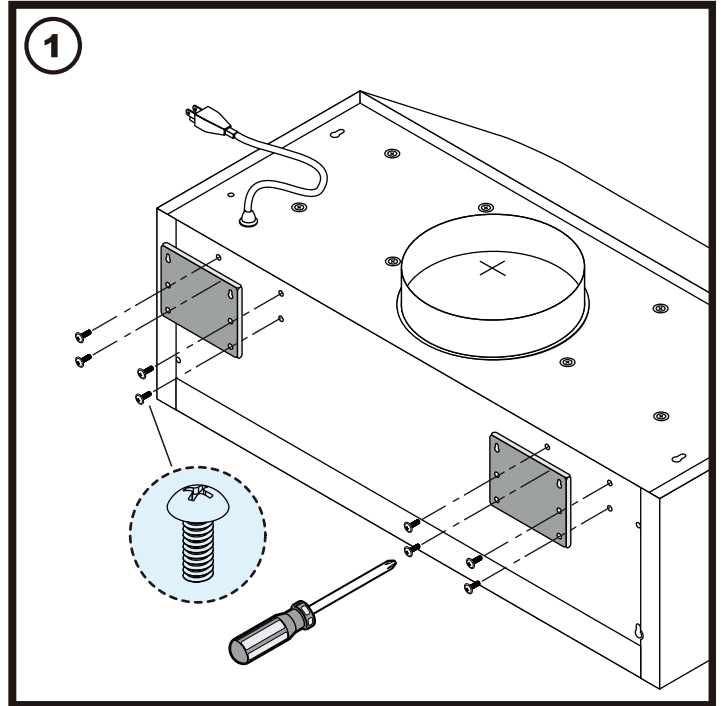


OPTION 2: Under Cabinet



OPTION 1: FREE STANDING

(1) Fasten installation plates using M4-6 mm screws on to the back of the range hood.

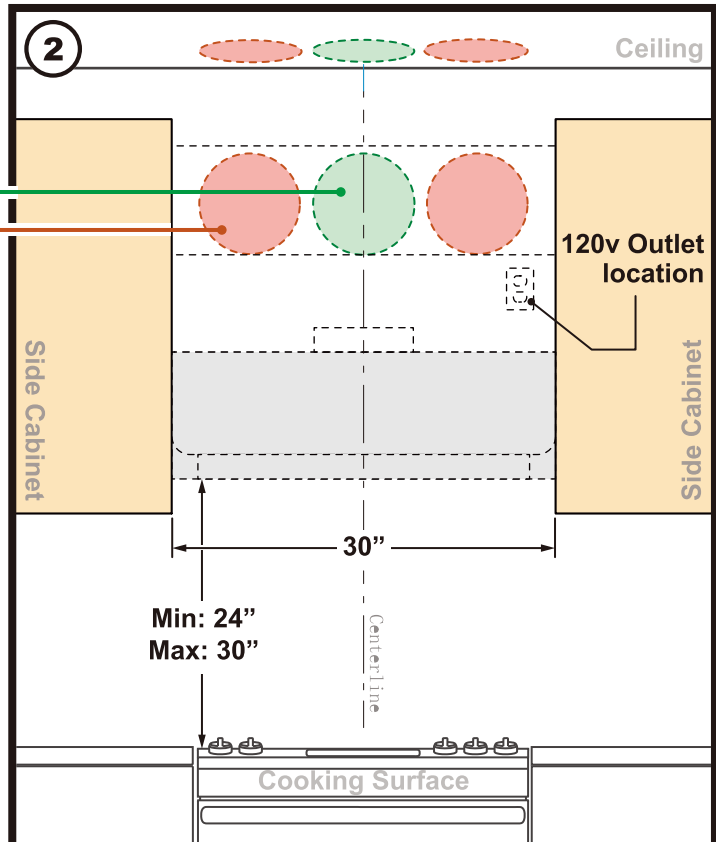


(2) Measure the distance between the stove top and the bottom of range hood. A distance of 24" to 30" is recommended*.

**Due to different ceiling height configurations, recommended height may not be applicable.*

Preferred areas to install wall or roof vent ducting.

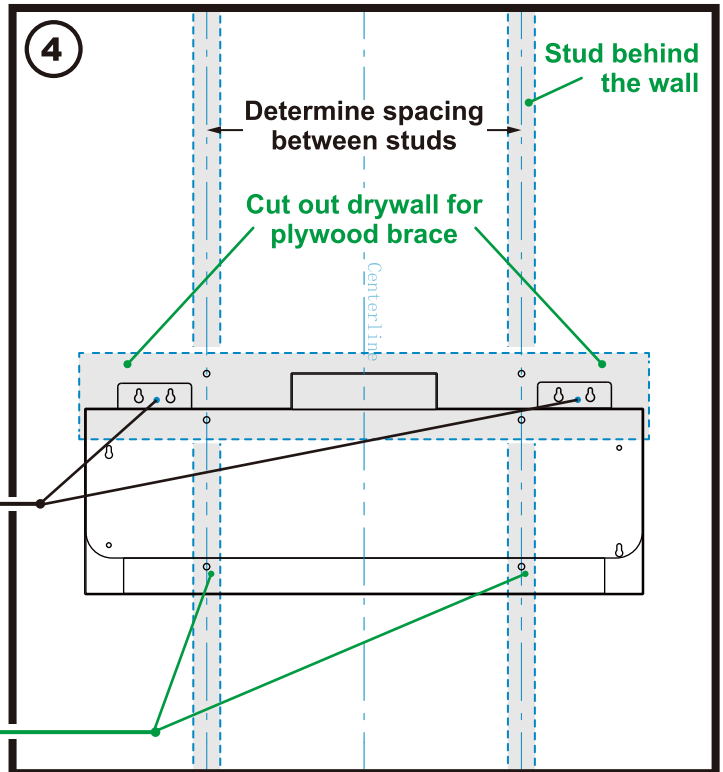
Wall or roof vent may be installed in these areas but not recommended.



FRONT VIEW

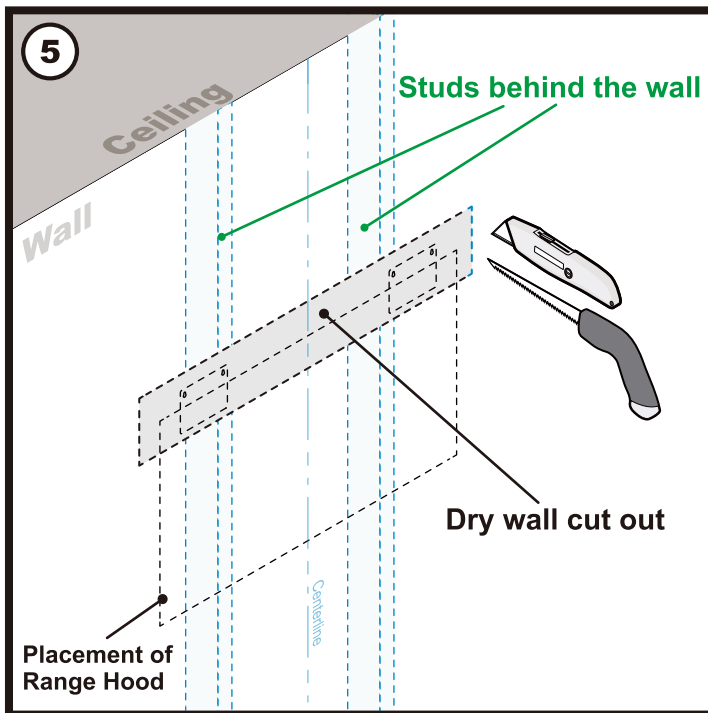
OPTION 1 (continued)

FRONT VIEW

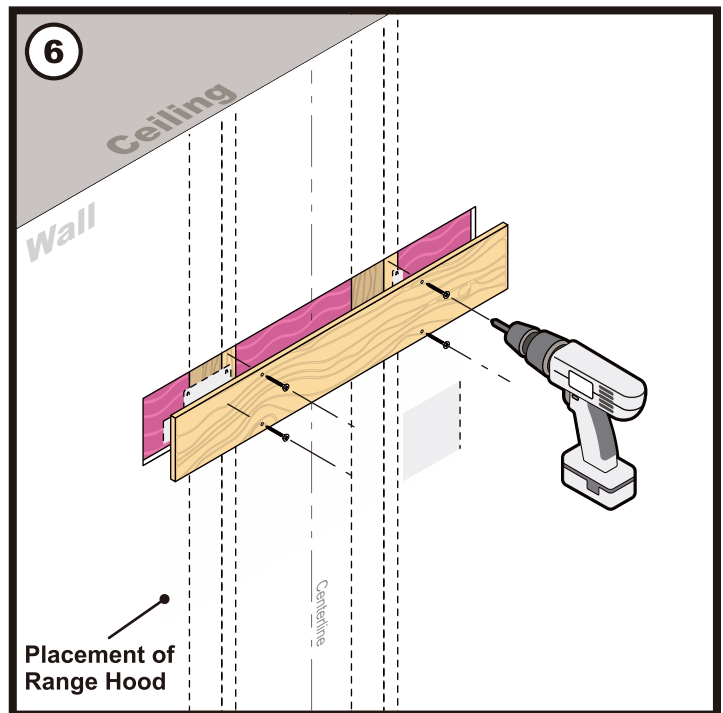


Pilot holes to screw brace onto studs.

Pre-drill holes at the rear panel of the range hood in order to mount M4-35mm Anchor Screw (Plastic drywall anchor choice depends on the wall) in to the studs for additional support.



(5) Use knife and saw to cut out drywall to accommodate plywood brace support.



(6) Screw on plywood to the exposed studs (wood screws not included). The inserted plywood should be the same depth as the drywall slab it is replacing.

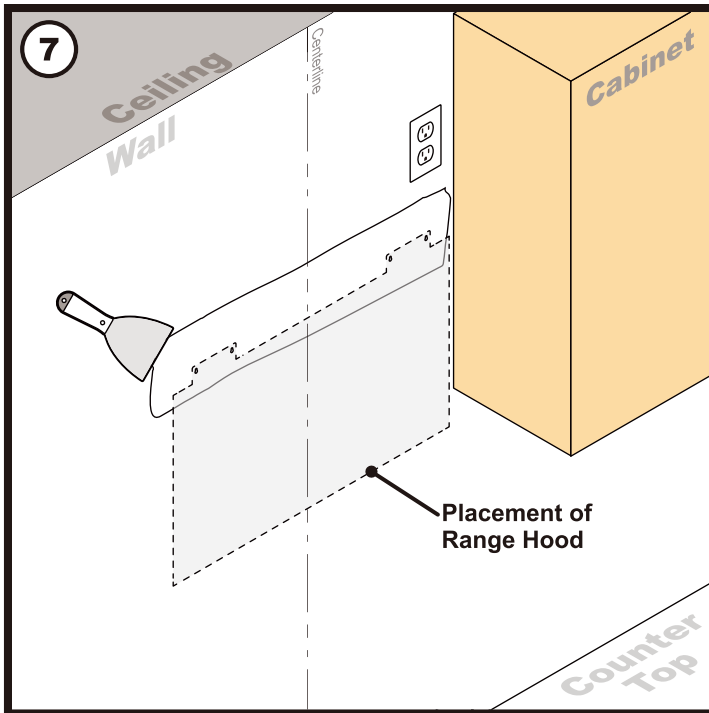
OPTION 1 (continued)

NOTE:

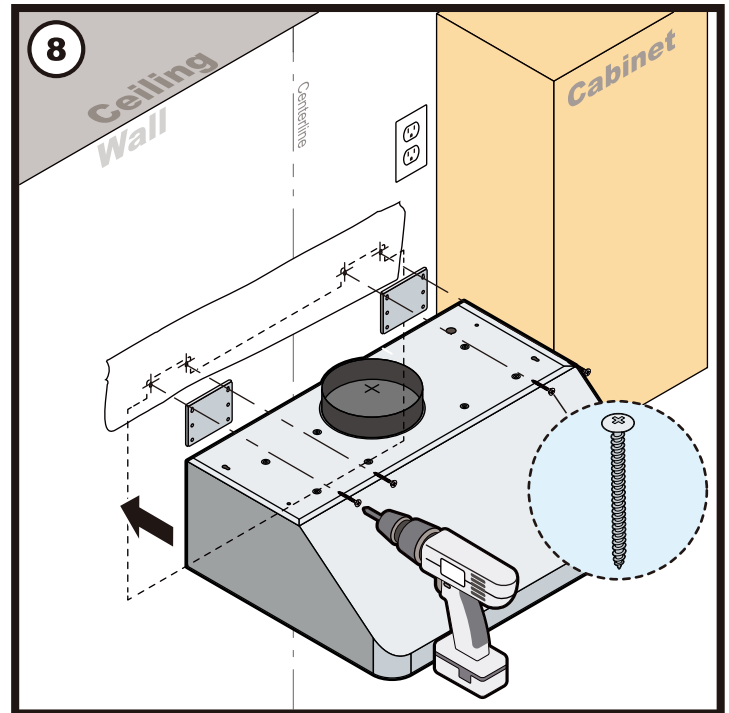
DO NOT USE threaded drywall anchors to support the hood when mounting the hood on sheetrock. Mounting the hood on wall studs or lumbers is highly recommended.

CAUTION: Make certain the range hood is secure before releasing!

For safety purpose, pre-drilled mounting holes are provided through the back of the hood. For a more secure installation, use as many mounting holes as needed to secure from the inside of hood.

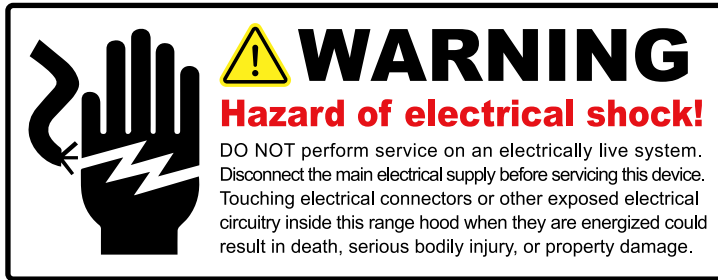


(7) Apply spackle in between spaces of the plywood and drywall seamlessly. Sand down any rough spackle to smooth out. Paint area if required.



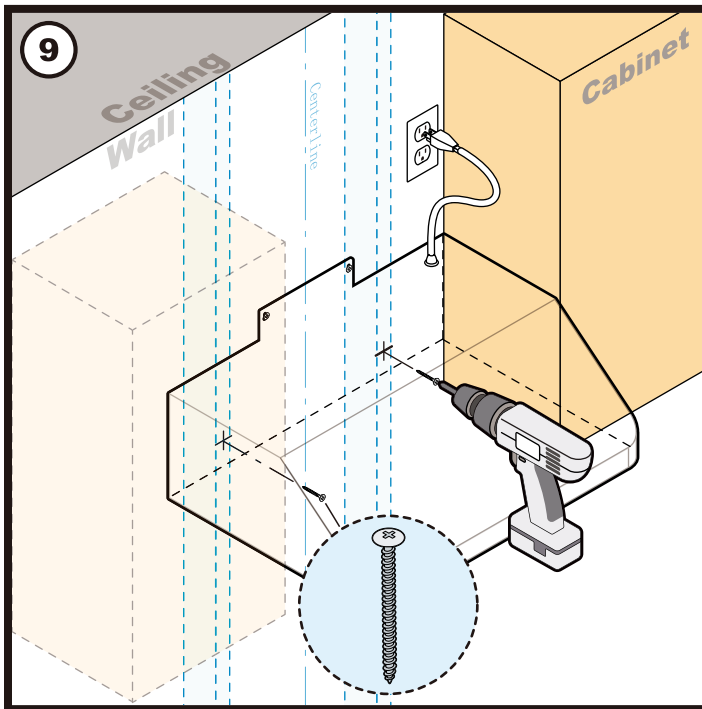
(8) Fasten the M4-35 anchor screws (Plastic drywall anchor choice depends on the wall) into the corresponding positions on the plywood brace according to the measured dimensions.

OPTION 1 (continued)



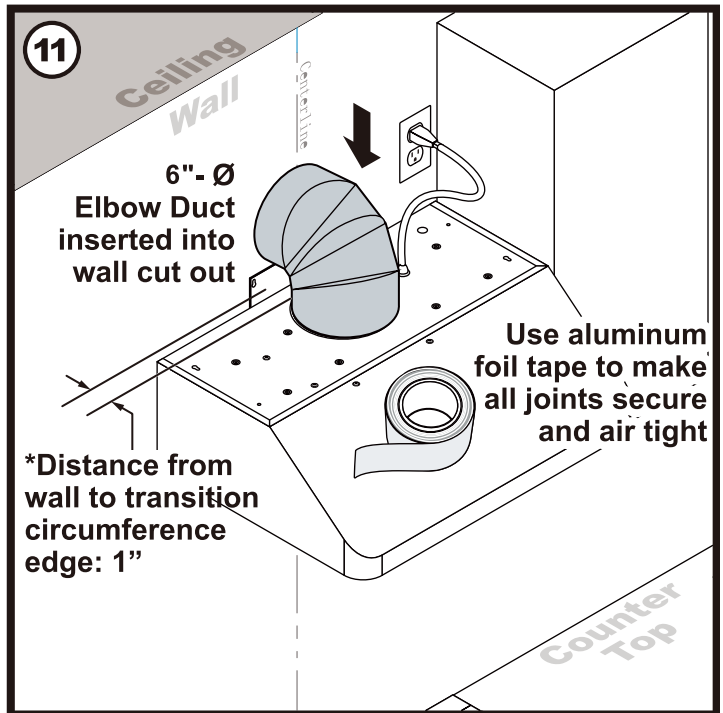
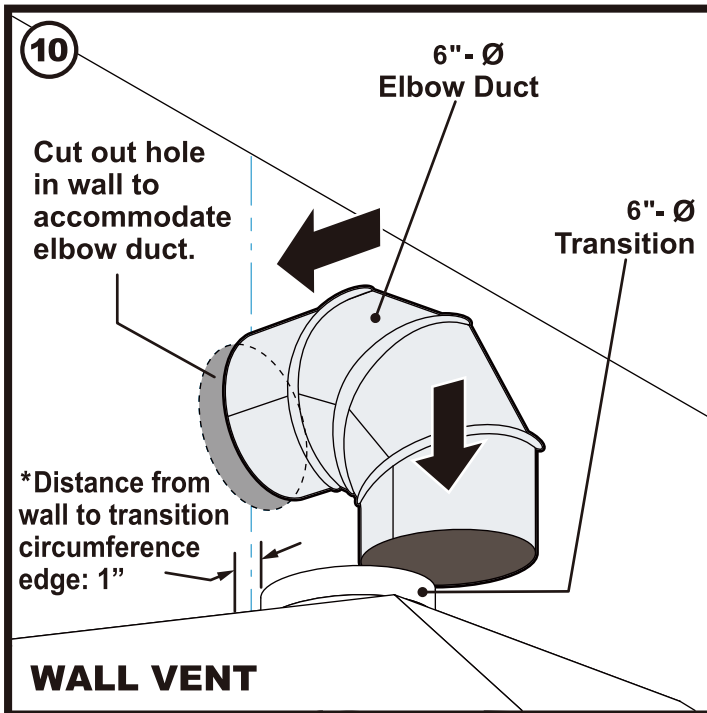
SAFETY WARNING:

Risk of electrical shock. this range hood must be properly grounded. Make sure this is done by qualified electrician in accordance with all applicable national and local electrical codes. Before connecting wires, switch power off at service panel and lock service panel to prevent power from being switched on accidentally.

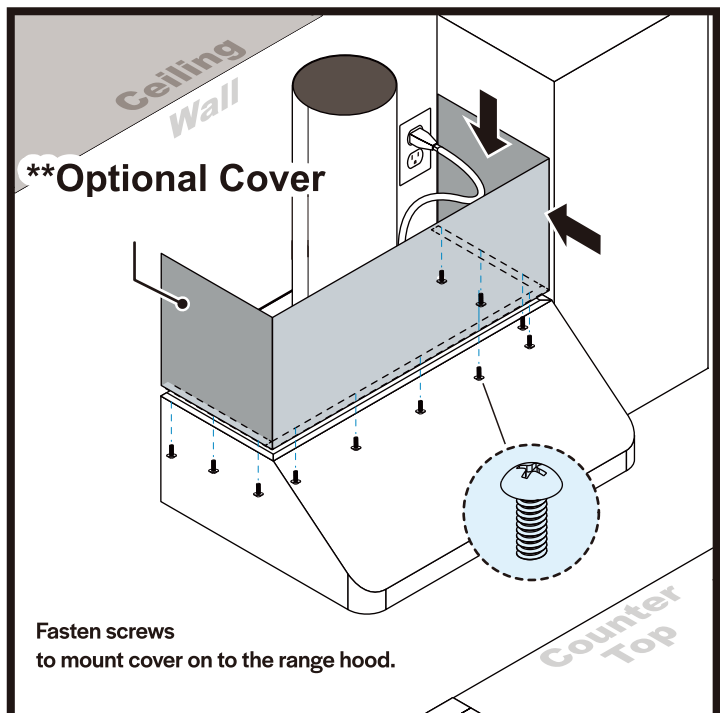
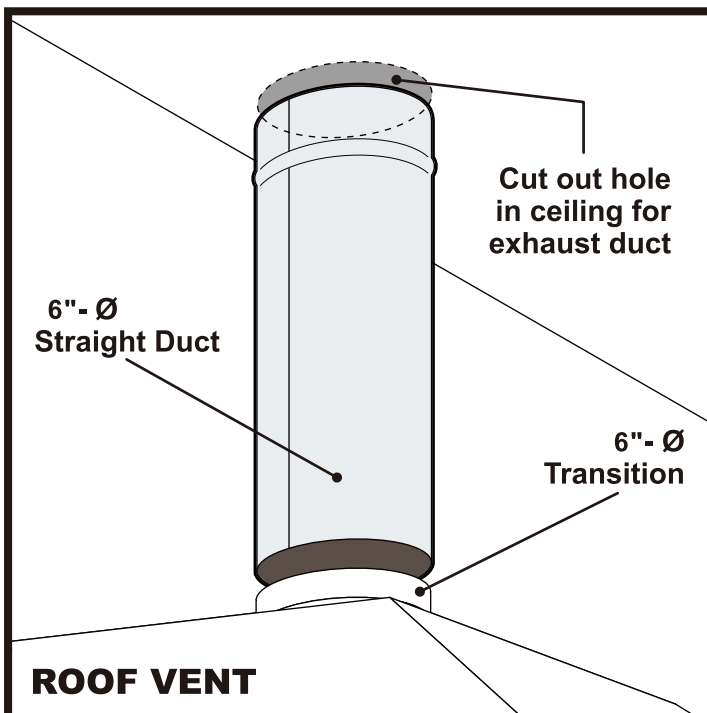


(9) Fasten the M4-35 anchor (Plastic drywall anchor choice depends on the wall) screws into the wall studs at the inner rear panel of the range hood according to the measured dimensions to secure it in place. Connect the range hood to a designated standard power outlet, and check that the fan motor and light fixtures are functioning properly. **Beware of all electrical hazards and refer to the product nameplate for the rated voltage of this unit**

OPTION 1 (continued)



*Distance from wall to transition circumference edge for 6" - Ø Transition will be 1". Use aluminum foil tape to make all joints secure and air tight.



Use 6" round steel pipe to connect the exhaust on the hood to the ductwork above. Use aluminum foil tape to make all joints secure and air tight.

Fasten the decorative cover to the range hood with M4×6 mm screws.

OPTION 2: UNDER CABINET

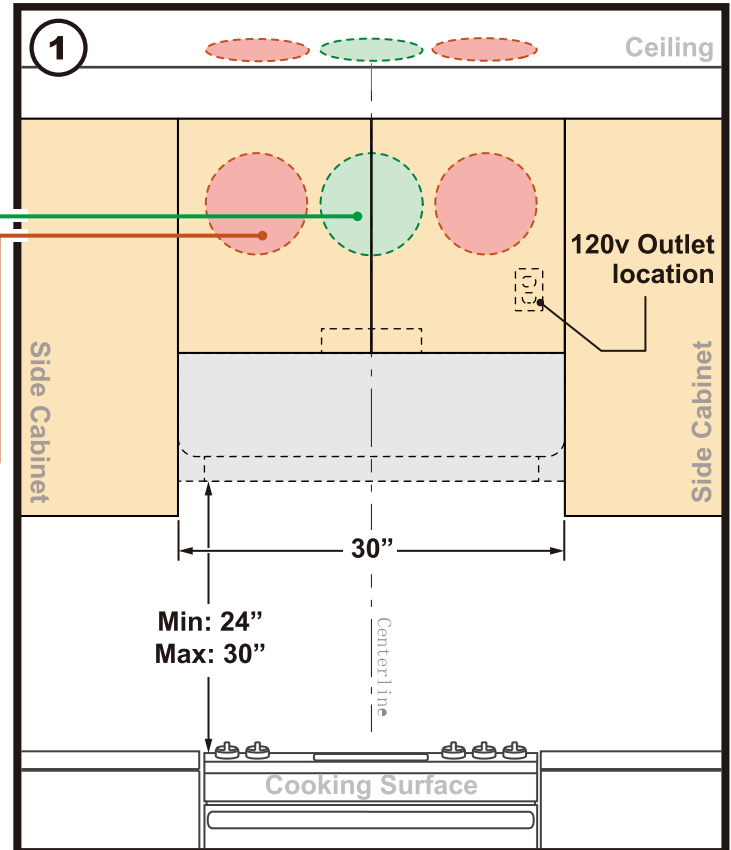
NOTE: To install directly under the cabinet, there is no need to install the Mounting Bracket at the back of the range hood.

(2) Measure the distance between the stove top and the bottom of range hood. A distance of 24" to 30" is recommended*.

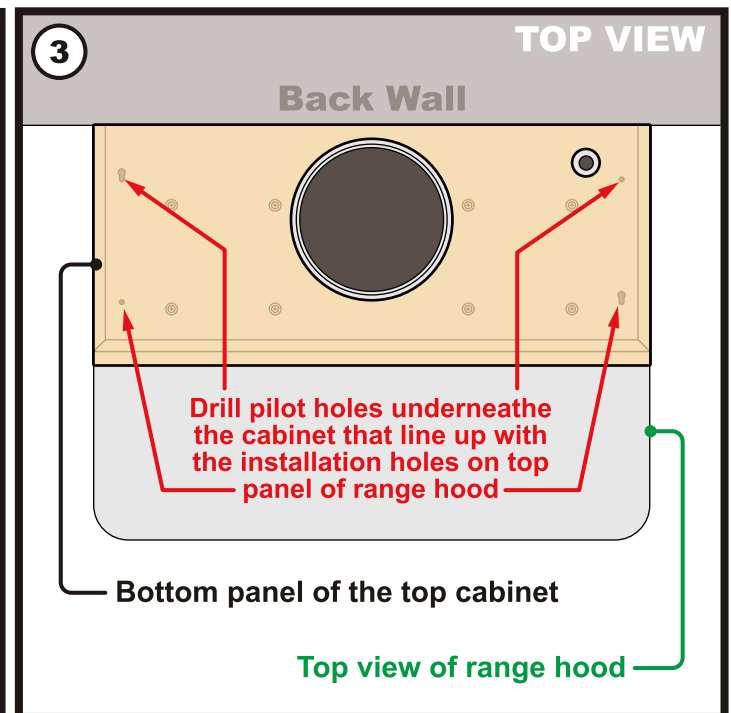
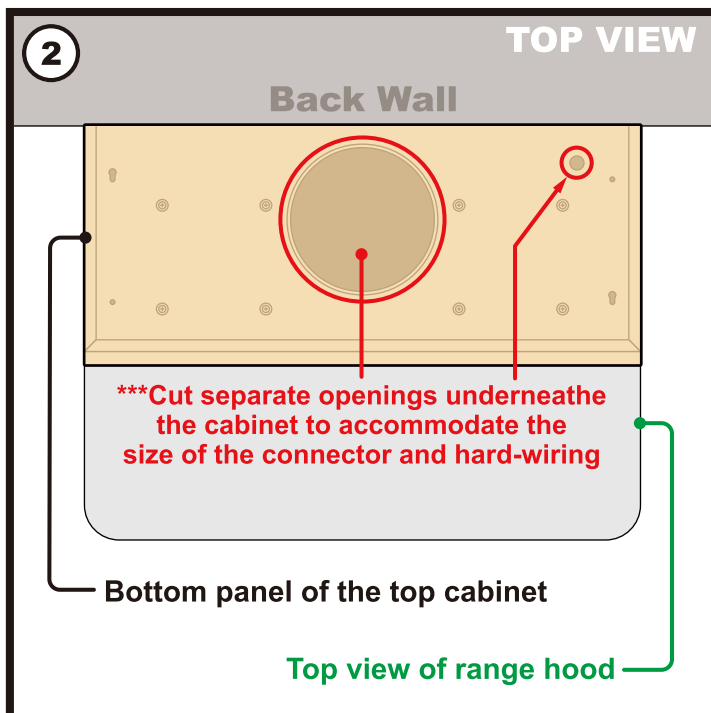
**Due to different ceiling height configurations, recommended height may not be applicable.*

Preferred areas to install wall or roof vent ducting.

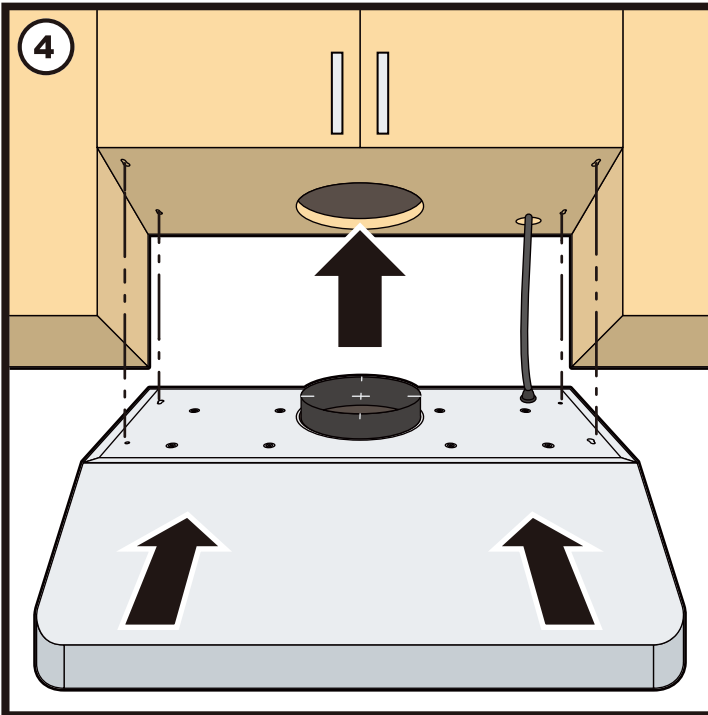
Wall or roof vent may be installed in these areas but not recommended.



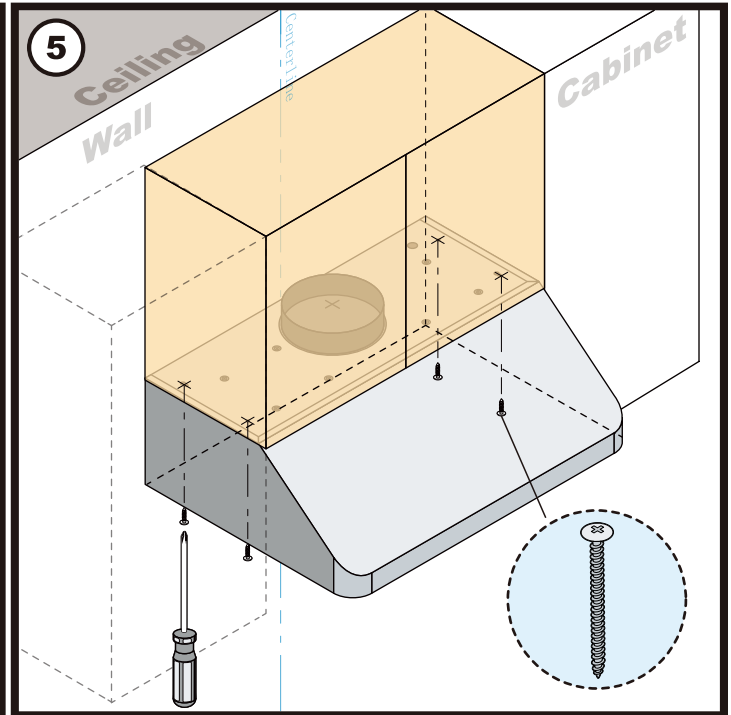
FRONT VIEW



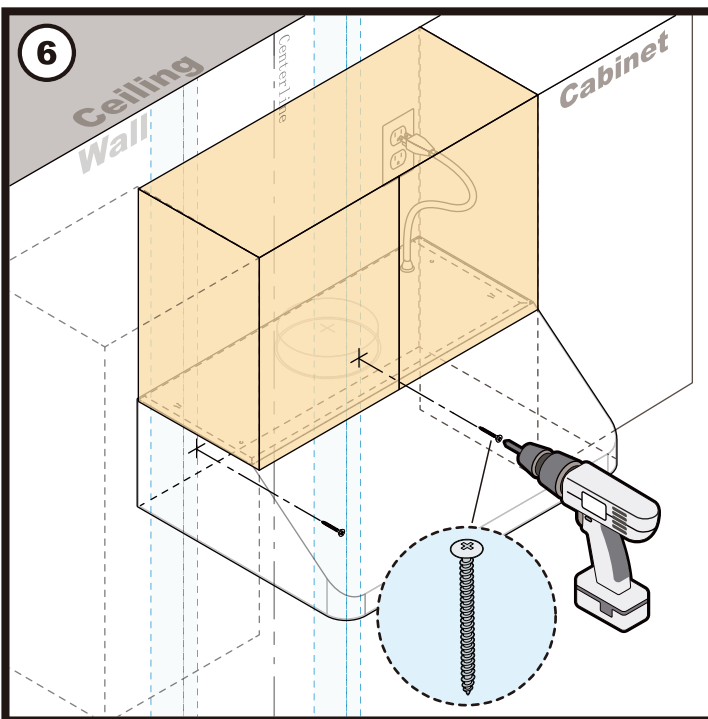
OPTION 2 (continued)



(5) Lift and insert the range hood underneath the cabinet. Ensure the wiring passes through the opening created below the cabinet.




(5) Fasten the M4-35 anchor screws into the bottom panel of the existing wall-mounted cabinet from the inside of the top panel of the range hood mounting bracket.



(6) Fasten the M4-35 anchor (Plastic drywall anchor choice depends on the wall) screws into the wall studs to secure it in place from the inner rear panel of the range hood, in accordance with the marked dimensions during pre-drilling. Connect the electrical wiring of the range hood and check that the fan motor and light fixtures are functioning properly. **Beware of all electrical hazards, and refer to the product nameplate for the rated voltage of this unit.**

CAUTION: Make certain the range hood is secure before releasing!

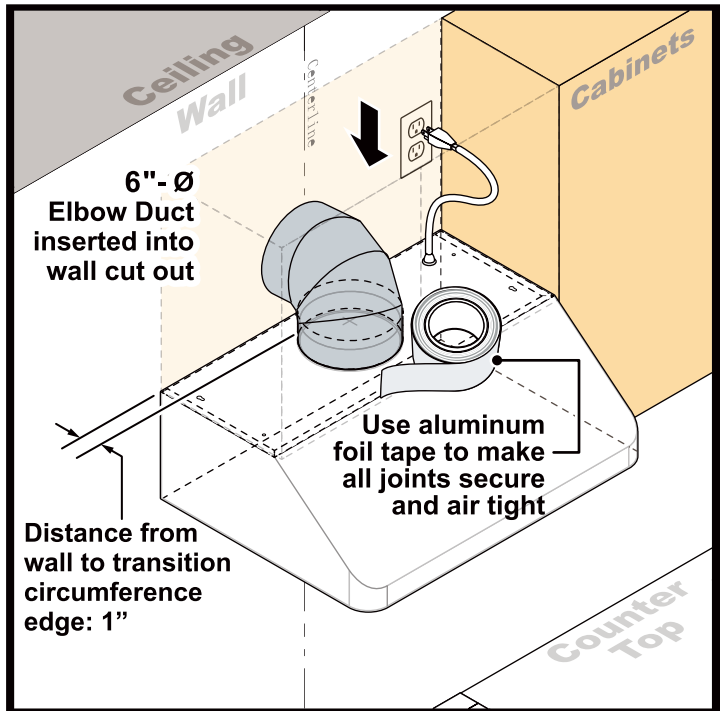
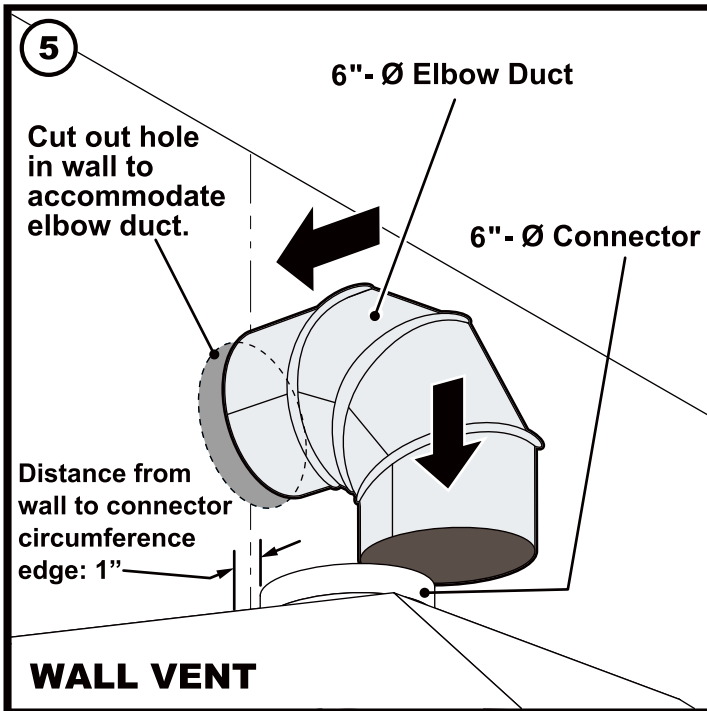


⚠ WARNING
Hazard of electrical shock!
 DO NOT perform service on an electrically live system. Disconnect the main electrical supply before servicing this device. Touching electrical connectors or other exposed electrical circuitry inside this range hood when they are energized could result in death, serious bodily injury, or property damage.

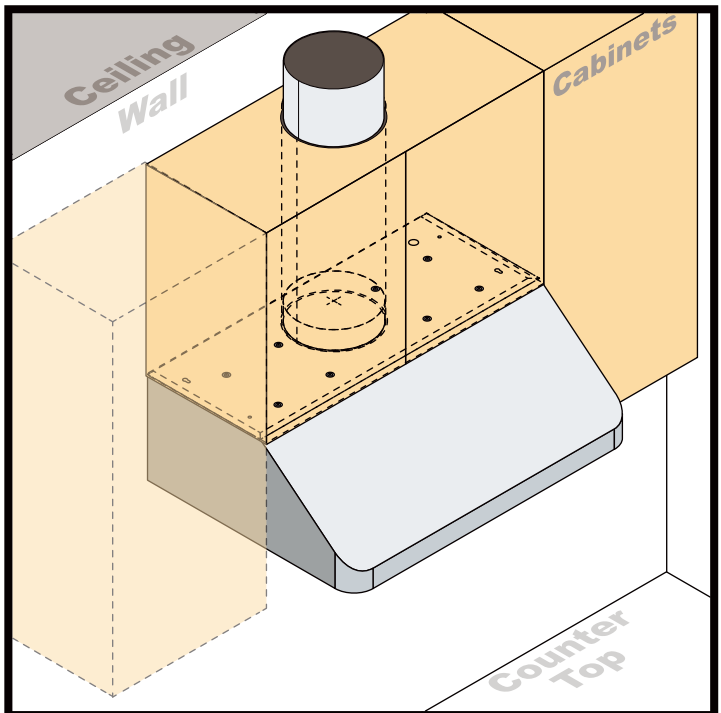
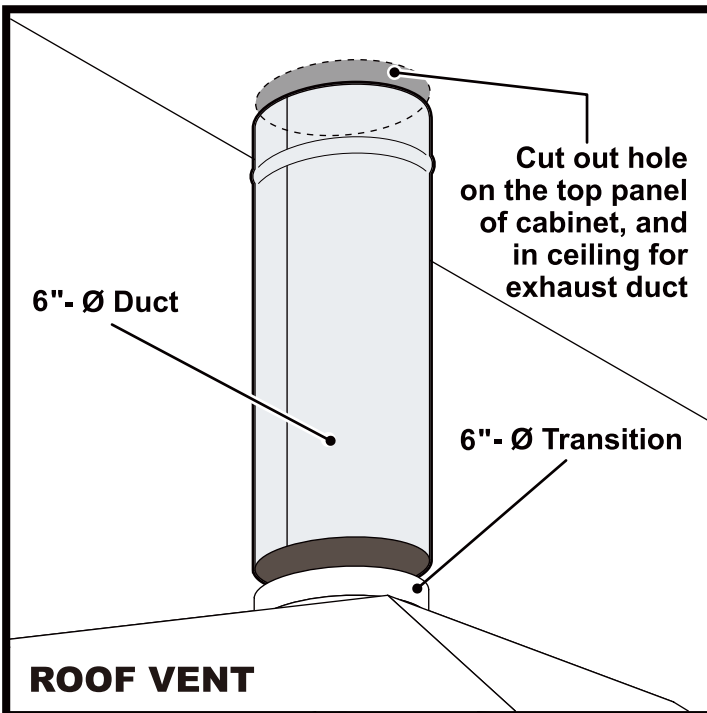


⚠ WARNING
Severe Injury
 Rotating fan can cause severe injury. Stay clear of fan when motor is running.

OPTION 2 (continued)



*Distance from wall to transition circumference edge for 6" - Ø Transition will be 1". Use aluminum foil tape to make all joints secure and air tight.

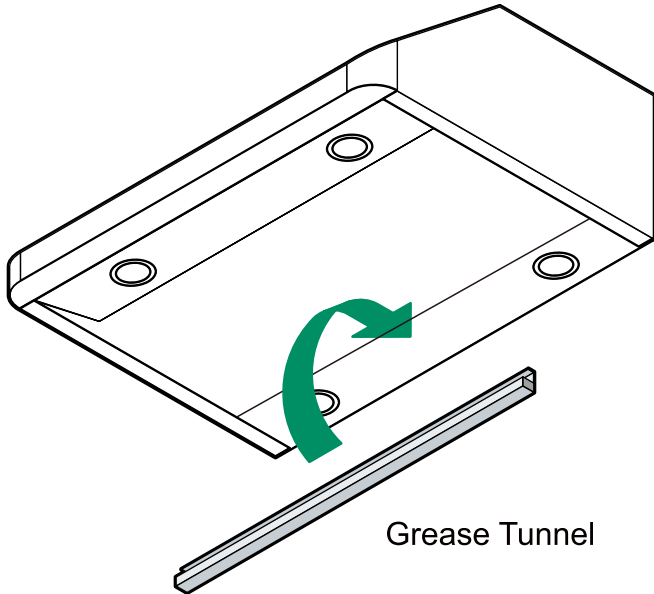


Use 6" round steel pipe to connect the exhaust on the hood to the ductwork above. Use aluminum foil tape to make all joints secure and air tight.

Ensure the cylinder duct passes through, leading to the roof cut out for exhaust connecting duct.

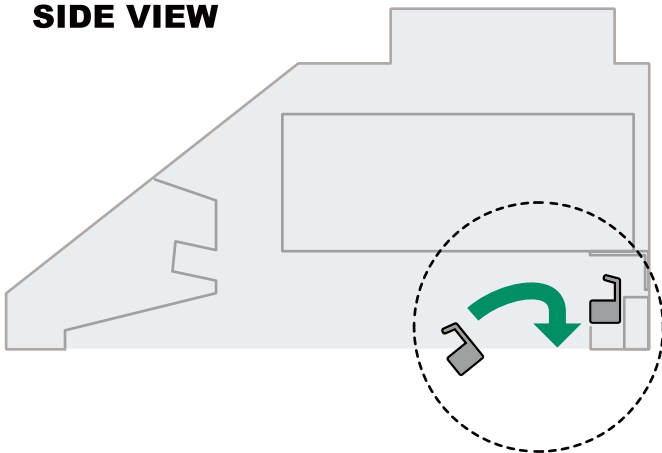
GREASE TUNNEL & FILTERS

BOTTOM VIEW

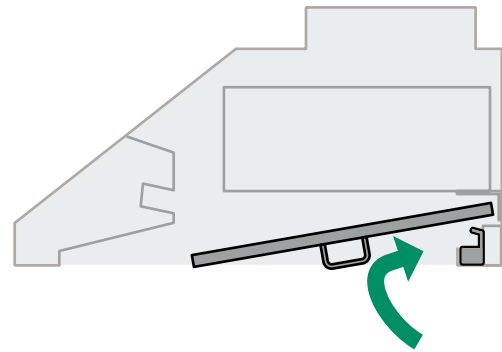
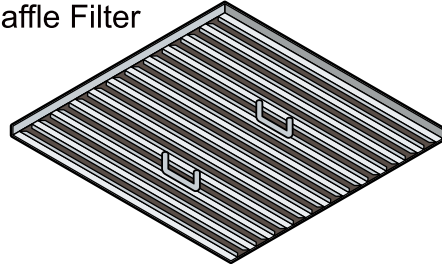


Place Grease Tunnel into the hood opening and insert into slot holding, as shown below.

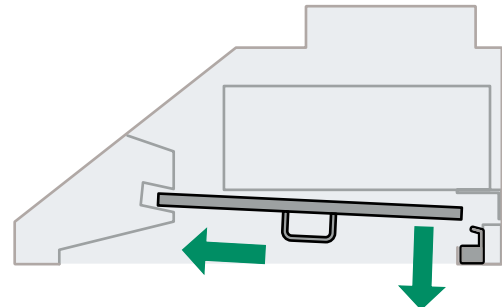
SIDE VIEW



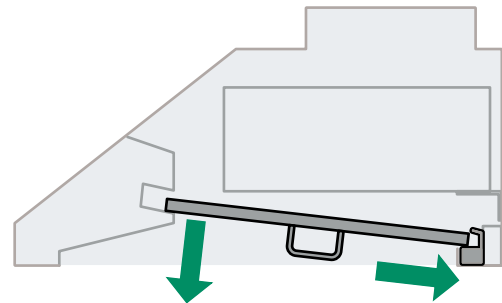
Baffle Filter



Angle filter toward rear of hood opening above the grease tunnel.



Slide forward and into the recess towards front of hood and above the light panel.



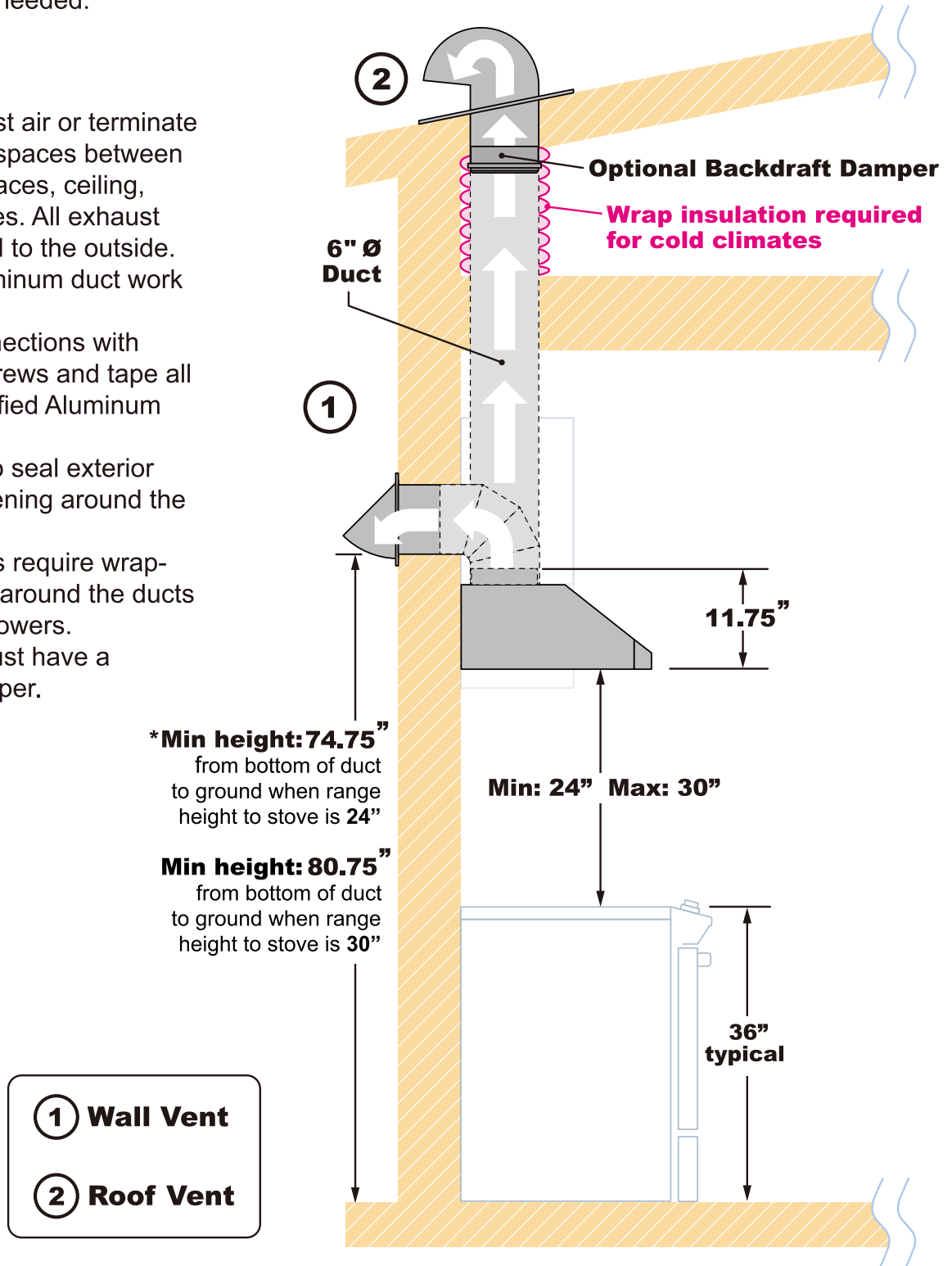
Lower filter while sliding back until it rests onto Grease Tunnel.

VENTING METHODS (side view)

- This range hood is factory set for venting through the roof or wall.
- Duct work can terminate either through the roof or wall. To vent through a wall, a 90° elbow is needed.

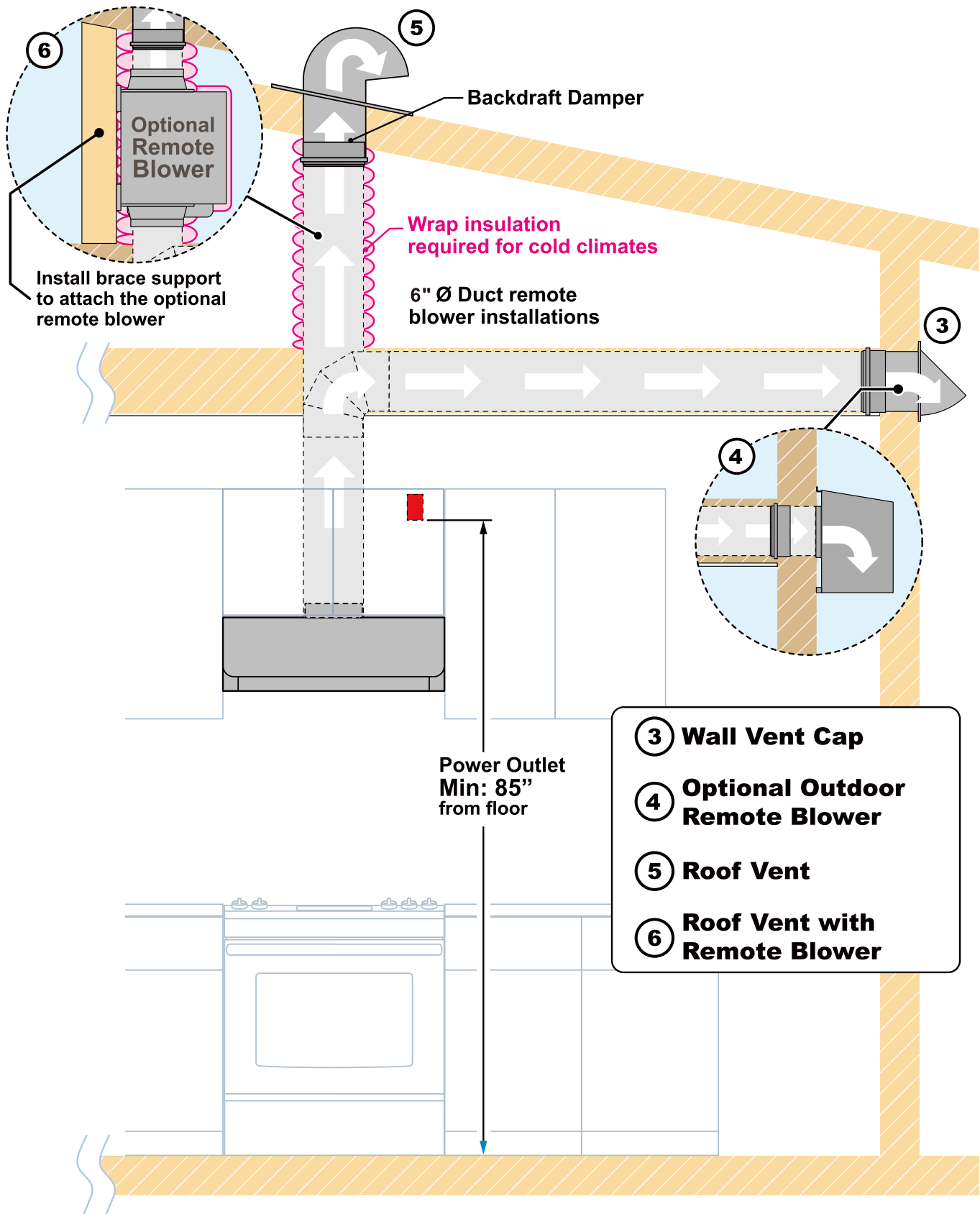
IMPORTANT:

- NEVER exhaust air or terminate duct work into spaces between walls, crawl spaces, ceiling, attics or garages. All exhaust must be vented to the outside.
- Use metal/aluminum duct work only.
- Fasten all connections with sheet metal screws and tape all joints with certified Aluminum Tape.
- Use caulking to seal exterior wall or roof opening around the cap.
- Colder climates require wrapping insulation around the ducts and optional blowers.
- The system must have a Backdraft Damper.



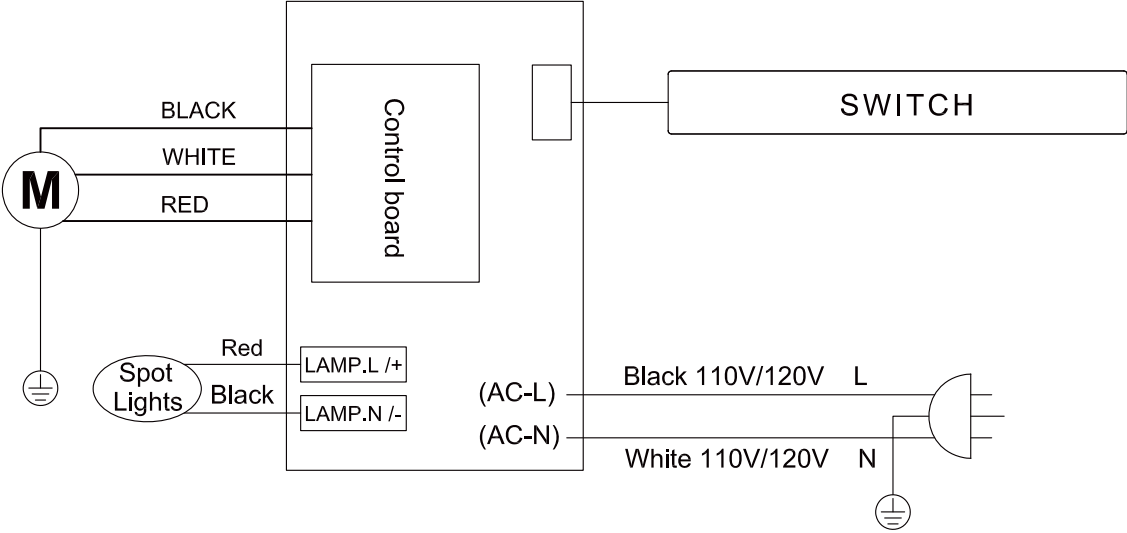
* Due to different ceiling height configurations, recommended height may not be applicable.

VENTING METHODS (front view)

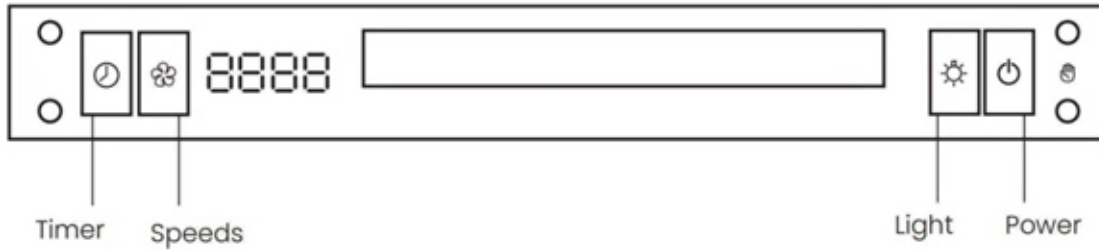


* Due to different ceiling height configurations, recommended height may not be applicable.

WIRING DIAGRAM



Range Hood Operations



1. Control Panel Operations

Feature	Action	Description-
Power	Tap	Turns the hood ON/OFF. Activating power enables Light, Speed, and Timer functions.
	Long Press (3s)	While Range Hood OFF: Toggles the Gesture Sensor. While Range Hood ON: Toggles between Automatic (Display: "ON") and Manual (Display: "OFF") modes.
Light	Tap	Turns the light ON/OFF.
	Long Press (3s)	While Range Hood ON: Adjusts brightness levels. While Range Hood OFF: Toggles Voice Control.
Speed	Tap	Starts at F1. Continue tapping to increase speed through 16 levels (F1–F16).
Timer	Tap	Activates the auto-off timer (15-minute default).
	Adjust	Use the Speed button to set duration from 1 to 15 minutes.
	Confirm	Tap Timer again to save and return to the current speed display.

Range Hood Operations

2. Smart Operating Modes

The system switches between two modes to optimize ventilation performance.

Automatic Mode (Sensor-Driven)

The hood uses AI sensors to manage airflow based on cooking activity.

- Activation: Defaults to Auto when in standby (Power button half-lit) or when started at speed F0.
- Heat Sensor: Automatically activates the motor when heat is detected from the stovetop.
- Oil Fume Sensor: Boosts to maximum speed when high smoke concentrations are detected and adjusts dynamically as levels change.
- Smart Shutdown: When fumes clear, the motor slows to F4. If no heat or smoke is detected for 11 consecutive minutes, the motor shuts down (typically within 15–30 minutes). The unit powers off completely after 3 minutes of inactivity.
- This is best for open flames, limited effectiveness on induction cookers.

Manual Mode (User-Driven)

Manual mode overrides sensors for full user control.

- Activation: Triggered by manually adjusting speed (buttons, gestures, voice), activating the timer, or powering on to the last saved speed.
- Memory Function: The hood saves your last used speed and light brightness, restoring them automatically when next powered on in Manual Mode.

Range Hood Operations



3. Gesture Control

- Operation: Position your hand to the gesture icon, within 2 inches (5cm) of the panel.
- Sequence: Bring your hand close to the sensor area to cycle through the following:
 1. 1st Motion: Power ON / FO (Automatic Mode).
 2. 2nd–5th Motion: F4→ F8→ F12 →F16 (Maximum Speed).
 3. 6th Motion: Standby Mode (Motor Off).
- Toggle: While the hood is OFF, long-press Power for 3 seconds to enable/disable this feature.

Range Hood Operations

4. Voice Control

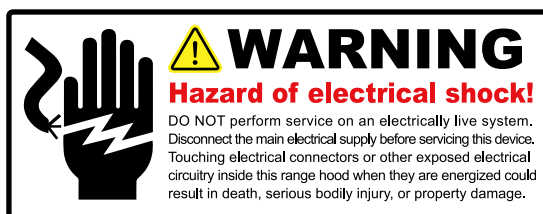
Say "Hi Empava" to wake the system. The hood will stay in voice-standby for 15 seconds. If no command is received, it will say "See you later" and exit.



You Say...	Hood Responds...
"Hi Empava"	"Hi, I'm here"
"Power on"	"OK, working now"
"Speed one" ... "Speed sixteen"	"OK, speed [one...sixteen]"
"Minimum / Medium / Maximum speed"	"OK, [minimum/medium/maximum] speed"
"Lights on" / "Lights off"	"OK, the lights are now on/off"
"Delay shutdown"	"OK, shutdown 3 minutes later"
"Power off"	"OK, goodbye!"

Note: To enable/disable the voice sensor, long-press the Light button for 3 seconds while the hood is OFF.

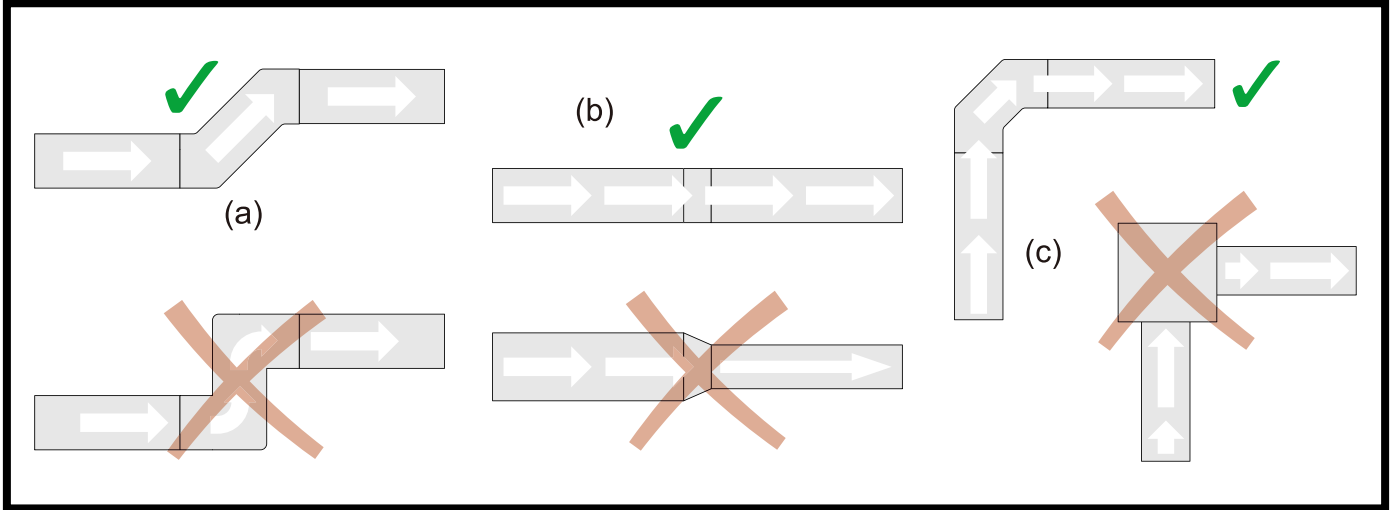
TROUBLESHOOTING



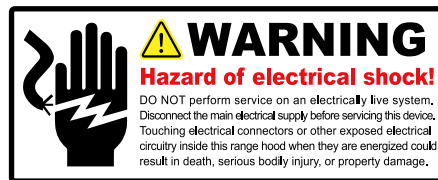
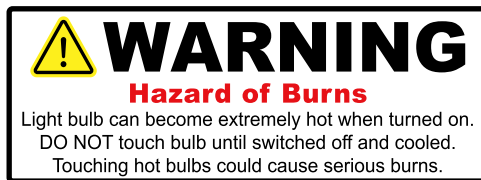
<p>1. If the range hood or lights do not operate after installation:</p>	<ul style="list-style-type: none"> • Check if the range hood has been plugged in, make sure that all power has been turned ON, fused not blown and all electrical wiring are properly connected. • Swap out light assembly to working ones to determine whether it is caused by defective bulbs. <i>See Replacing the light bulbs page.</i>
<p>2. The range hood vibrates when the blower is on:</p>	<ul style="list-style-type: none"> • The range hood might not have been secured properly on to the ceiling or wall.
<p>3. The blower or fan seems weak:</p>	<ul style="list-style-type: none"> • Duct is too small. Range hood WILL NOT function efficiently with insufficient duct size. For example: Connecting this hood to 4", or 5" duct will reduce the suction and create extra noise and vibrations. Check if duct is clogged or if damper unit is not installed correctly or opening properly. A tight mesh on a side wall cap unit might also cause restriction to the air flow.
<p>4. The lights work but the blower is not spinning at all, is stuck or is rattling.</p>	<ul style="list-style-type: none"> • The blower might be jammed or scraping the bottom due to shipping damage. Please contact us immediately.
<p>5. The hood is not venting out properly:</p>	<ul style="list-style-type: none"> • Make sure the distance between the stove top and the bottom of the hood is within* 24" and 30" in distance. <i>*Due to different ceiling height configurations, recommended height may not be applicable.</i> • Reduce the number of elbows and length of duct work. Check if all joints are properly connected, sealed, and taped. • Make sure the power is on high speed for heavy cooking.

DO'S AND DON'TS FOR DUCT VENTING

- Avoid the use of sharp elbows. Use 45 degrees instead, if possible.
- DO NOT use REDUCERS. Keep the size of the duct the same, as per the manual. A reducer will reduce the CFM of the hood and increase the noise.
- DO NOT use plenum boxes. Boxes create turbulence and make the hood inefficient. Use a smooth elbow to guide the air outdoors.



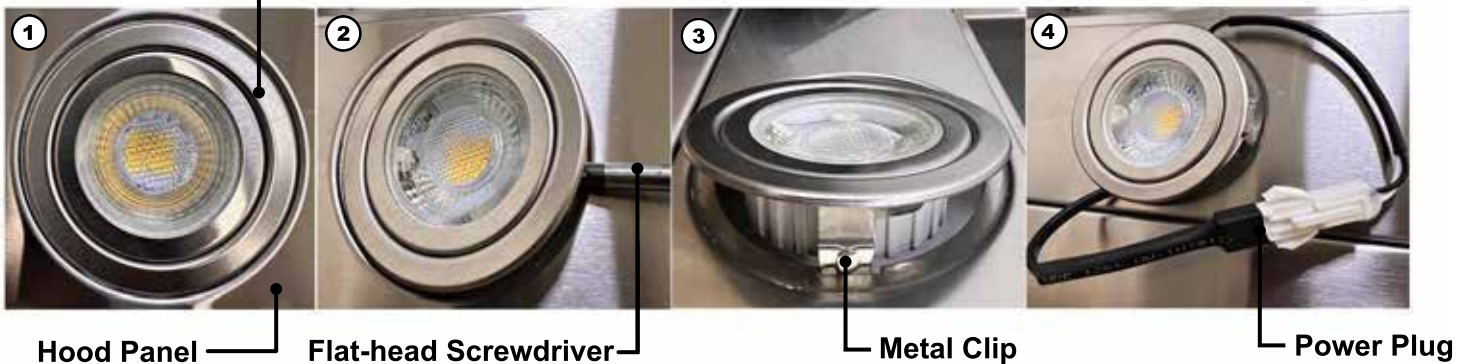
BULB REPLACEMENT



Replacing LED 3W 12V Light Fixture:

- Make sure the range hood is unplugged or turn OFF breaker and the lights are cool to touch.
- Place a flat-head screwdriver between light housing and hood body
- Gently pry up the light housing and search for the metal clip
- Apply force to the metal clip and pull out the light fixture
- Disconnect the power cable and discard the old light fixture
- Reverse the steps to install a new LED light fixture
- Turn ON breaker and range hood to test for operation.

Light Housing



MAINTENANCE

Operations:

- Read and understand all instructions and warnings in this manual before operating the appliance. Save these instructions for future reference.
- Always leave safety grills and filters in place. Without these components, operating blowers could catch on to hair, fingers and loose clothing.
- NEVER dispose cigarette ashes, ignitable substances, or any foreign objects into blowers.
- NEVER leave cooking unattended. When frying, oil in the pan can easily overheat and catch fire. The risk of self combustion is higher when the oil has been used several times.
- NEVER cook on “open” flames under the range hood. Check deep-fryers during use: Superheated oil may be flammable.
- The saturation of greasy residue in the blower and filters may cause increased inflammability. Keep unit clean and free of grease and residue build-up at all times to prevent possible fires.
- Filters must be cleaned periodically and free from accumulation of cooking residue. Old and worn filters must be replaced immediately.
- **DO NOT** operate blowers when filters are removed. Never disassemble parts to clean without proper instructions. Disassembly is recommended to be performed by qualified personnel only. Read and understand all instructions and warnings in this manual before proceeding.
- **SAFETY WARNING: Never put your hand into area housing the fan while the fan is operating!**

Cleaning Exterior surfaces:

- Clean periodically with stainless steel cleaner and clean cotton cloth. Do not use corrosive or abrasive detergent (e.g. Comet Power Scrub®, EZ-Off® oven cleaner), or steel wool/scoring pads, which will scratch and damage the stainless steel surface. For heavier oil use liquid degrease such as “Formula 409®” or “Fantastic®” brand cleaner.
- If the hood looks splotchy (stainless steel hood), use a stainless steel cleaner to clean the surface of the hood. Avoid getting cleaning solution onto or into the control panel. Follow directions of the stainless steel cleaner. **CAUTION: Do not leave on too long as this may cause damage to the hood finish.** Use a soft towel to wipe off the cleaning solution, gently rub off any stubborn spots. Use a dry soft towel to dry the hood.
- After cleaning, you may use non abrasive stainless steel polish such as 3M® or ZEP®, to polish and buff out the stainless luster and grain. Always scrub lightly, with clean cotton cloth, and with the grain.
- DO NOT allow deposits to accumulate or remain on the hood.
- DO NOT use ordinary steel wool or steel brushes. Small bits of steel may adhere to the surface and cause rusting.
- DO NOT allow salt solutions, disinfectants, bleaches, or cleaning compounds to remain in contact with stainless steel for extended periods. Many of these compounds contain chemicals, which may be harmful. Rinse with water after exposure and wipe dry with a clean cloth.

Cleaning Aluminum Grease Filter / Stainless Steel Filterless Grill:

- **IMPORTANT: Drain oil from oil containers before oil and residue overflow!**
- The metal filters fitted by the factory are intended to filter out residue and grease from cooking. It need not be replaced on a regular basis but are required to be kept clean.
- Filters should be cleaned after every 30 hours of use.
- Remove and HAND WASH ONLY. Spray “Formula 409®” or equivalent degreasing detergent and leave to soak if heavily soiled. Dry filters and re-install before using hood.



WARNING!
CALIFORNIA RESIDENTS
Cancer and Reproductive Harm



AVERTISSEMENT!
RÉSIDENTS DE CALIFORNIE
Cancer et Dommages à la Reproduction



¡ADVERTENCIA!
RESIDENTES DE CALIFORNIA
Cáncer y Daño Reproductivo

www.P65Warnings.ca.gov

EMPAVA APPLIANCES INC.

Add:458 Parriott PI W

City of Industry, CA, 91745

TEL : 888-682-8882

WWW.EMPAVA.COM